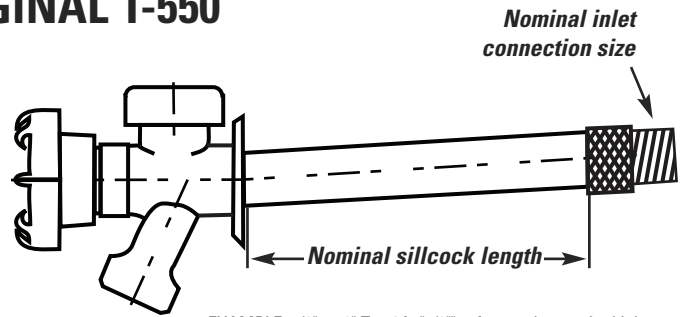


## T-550A IMPROVED FLOW AND ORIGINAL T-550 REPAIR PARTS

In addition to Replacement Cartridges for the Current **T-550A Improved Flow** sillcock, Legend also offers Retro-fit Cartridges for **Original T-550** sillcocks manufactured before 2008. These cartridges are NOT interchangeable. **To enable you to identify which product you have installed and to order the correct replacement parts we've provided the following Information.**



EXAMPLE: 1/2" x 10" T-550A; "1/2"" refers to the nominal inlet connection size and "10"" refers to the nominal length

## T-550A REPAIR PARTS

### T-550A Improved Flow Frost Free Sillcock



The T-550A IMPROVED FLOW I.D. disc is **Black** with Silver "LEGEND" lettering and includes the patent marking **Pat. 5.392.805 D527.797**.

The **inlet connection** is straight, with a round, **knurled wrench pad**, versus wrench flats.

If your product matches this description please choose a replacement cartridge from the chart at the right, or other replacement parts, as illustrated below

*If your product does not match this description proceed to page 2. Please contact Legend Valve with any questions.*

#### Replacement Cartridges for Improved Flow T-550A

Sillcock length	CARTRIDGE Length w/ handle	Length w/o handle	Cartridge replacement part #
4"	8-1/2"	7-3/4"	108-904A
6"	10-1/2"	9-3/4"	108-906A
8"	12-1/2"	11-3/4"	108-908A
10"	14-1/2"	13-3/4"	108-910A
12"	16-1/2"	15-3/4"	108-912A
14"	18-1/2"	17-3/4"	108-914A

Note: ONE o-ring and two tabs at the end of the cartridge



**Pictured**  
T-550A Improved Flow  
Exploded view

**108-904A, 108-906A,  
108-908A, 108-910A,  
108-912A, 108-914A**  
Cartridge

**108-902**  
Siding  
Wedge

Cap

Body

Piston

**108-903**  
Vacuum  
Breaker Kit

**108-904**

**108-162**  
Handle, Screw & Disc

*Note: If your product does not match this description proceed to page 2. Please contact Legend Valve with any questions.*

## T-550 REPAIR PARTS

### T-550 Original Frost Free Sillcock



The ORIGINAL T-550 I.D. disc is Silver with Black "LEGEND" lettering and includes only the phrase "Pat. Pend."

The inlet connection is tapered, with six wrench flats, versus a knurled wrench pad.

If your product matches this description please choose a replacement cartridge from the chart at the right, or other replacement parts, as illustrated below.

*Note: If your product does not match this description return to page 1. Please contact Legend Valve with any questions.*

#### Retro-Fit Cartridges for Original T-550

Sillcock length	RETRO-FIT CARTRIDGE Length		Cartridge replacement part #
	w/ handle	w/o handle	
4"	8-1/2"	7-5/8"	108-904AR
6"	10-1/2"	9-5/8"	108-906AR
8"	12-1/2"	11-5/8"	108-908AR
10"	14-1/2"	13-5/8"	108-910AR
12"	16-1/2"	15-5/8"	108-912AR
14"	18-1/2"	17-5/8"	108-914AR



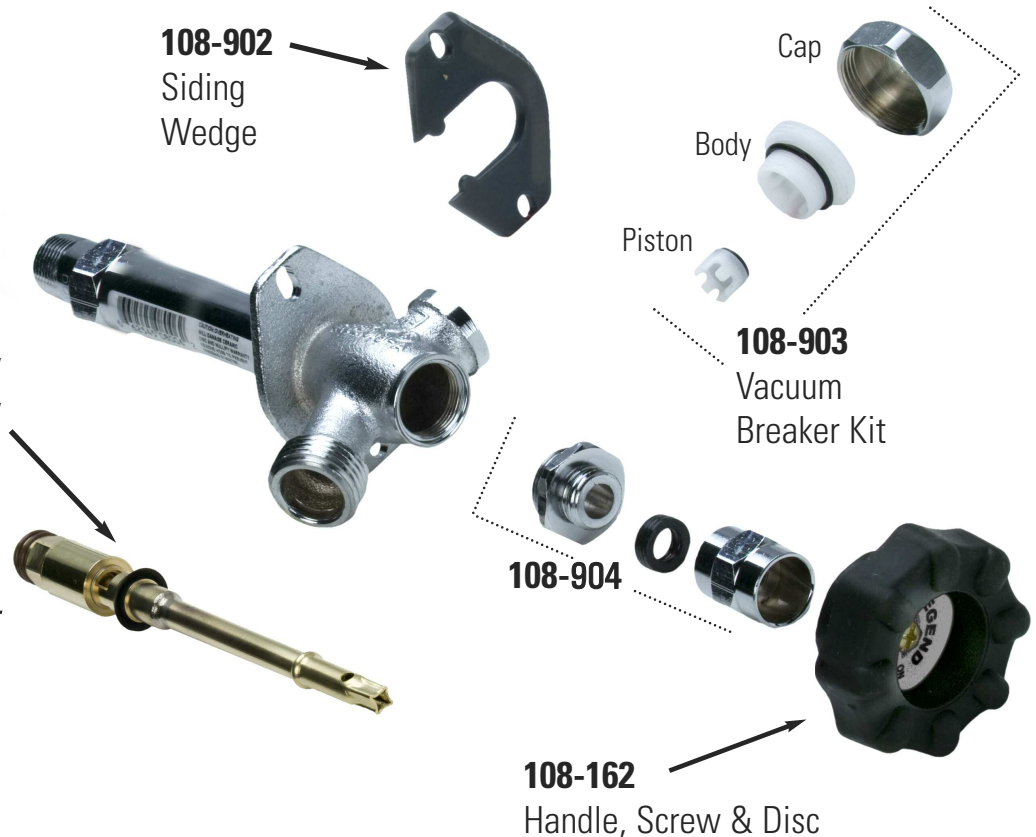
*Note: TWO o-rings at the end of the cartridge.*

*Note: The original T-550 incorporates a detachable cartridge attached by the stainless-steel Phillips-head screw at the back of the stem (arrow), permitting cartridge removal from the stem. The replacement retro-fit cartridge eliminates this feature; the stem and cartridge are now one piece.*

**Pictured  
Original T-550**  
Exploded view

**108-904AR, 108-906AR,  
108-908AR, 108-910AR,  
108-912AR, 108-914AR**  
Retro-fit replacement  
cartridge

*Note: On retro-fit cartridge stem  
and cartridge are now one piece.*



*Note: If your product does not match this description return to page 1. Please contact Legend Valve with any questions.*