

SUBMITTAL SHEET

JOB NAME _____ ITEM TAG _____

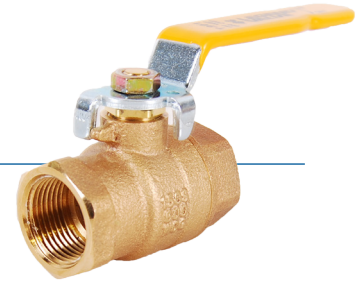
JOB LOCATION _____ PART NUMBER _____

CONTRACTOR _____ DATE _____

ENGINEER APPROVAL _____ DATE _____

BRONZE FULL PORT BALL VALVE

T/S-901



**Pictured:
T-901**

Oversized, dezincification-resistant cast bronze body is ideal for underground water supply installations.

Bottom-loaded blowout-proof stem.

Telfon* seats and stem packing.

Gland follower stem design.

Available in: female pipe threaded sizes: 1/4" to 3"
female sweat tubing sizes: 1/2" to 2"

- Conforms to MSS SP-110
- End connections comply with:
ANSI / ASME B1.20.1 (FNPT)
ANSI / ASME B16.18 (CTS Sweat)
- Manufactured in an ISO accredited facility.

Working Pressure, Non Shock (PSI)

Cold working pressure (CWP): 600
Saturated steam (WSP): 150 p.s.i.

MATERIAL SPECIFICATION

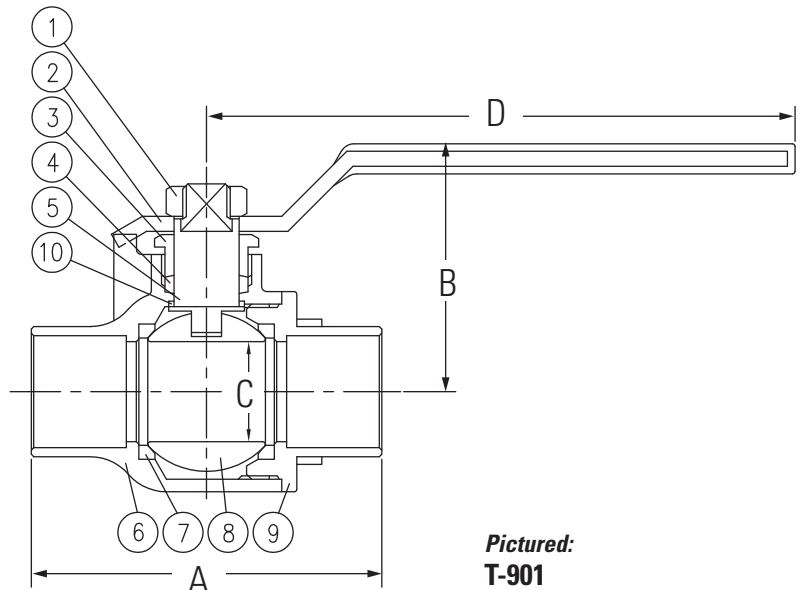
PART	MATERIAL	SPECIFICATION
1 Handle nut	Steel	AISI 1010
2 Handle	Steel	ASTM A 283 D
3 Packing nut	Forged brass	ASTM B16 UNS C36000
4 Stem packing	PTFE	Telfon*
5 Stem	Forged brass	ASTM B16 UNS C36000
6 Body	Cast bronze	ASTM B584 UNS C83600
7 Seats (2)	PTFE	Telfon*
8 Ball	Chrome plated forged brass	1/4"-3/4" ASTM B16 UNS C36000 1"-3" ASTM B124 UNS C37700
9 End adapter	Cast bronze	ASTM B584 UNS C83600
10 Thrust washer	PTFE	Telfon*

*Telfon is a registered trademark of DuPont.

DIMENSIONS

Size	A (IPS)	A (Cx C)	B	C	D	CV**
1/4"	1.81	-	1.46	0.39	3.31	7.68
3/8"	1.81	-	1.46	0.39	3.31	7.80
1/2"	2.17	1.93	1.54	0.50	3.31	10.00
3/4"	2.56	2.76	1.97	0.79	4.65	26.00
1"	2.95	3.31	2.13	0.98	4.65	48.00
1-1/4"	3.43	3.78	2.60	1.26	5.28	70.00
1-1/2"	3.74	4.29	2.76	1.50	5.28	105.00
2"	4.37	5.39	3.46	1.97	7.87	200.00
2-1/2"	5.35	-	3.86	2.48	7.87	380.00
3"	6.06	-	4.17	2.95	7.87	520.00

**The CV Factor is the gallons of water per minute passed through the valve with a 1 PSI pressure drop.



**Pictured:
T-901
Cut-away**