

SUBMITTAL SHEET

JOB NAME	ITEM TAG
JOB LOCATION	PART NUMBER
CONTRACTOR	DATE
ENGINEER APPROVAL	DATE

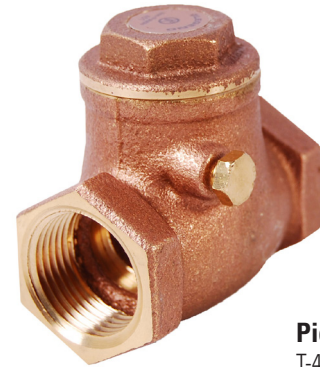
LEAD FREE BRASS SWING CHECK VALVE

T/S-451 No Lead

Durable, Full-pattern cast brass body.
 Large, integral seat and disc sealing surfaces.
 Forged brass hinge pin assures smooth, non-binding disc operation.
 T-pattern body permits either vertical (upward flow only) or horizontal (assembly cap upright) installations.

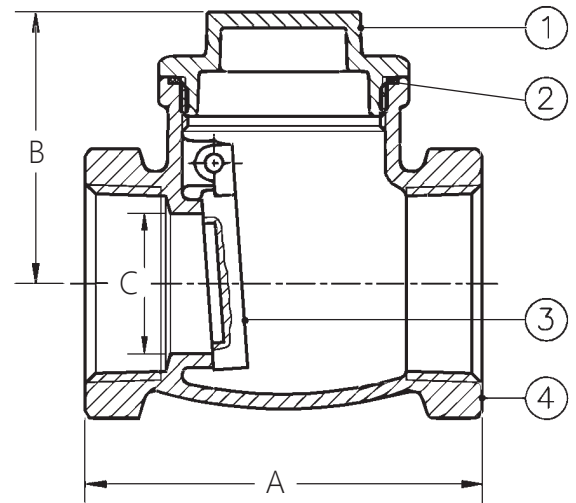
Working Pressure, Non Shock (PSI)

Cold working pressure (CWP): 200 CWP
 Saturated steam (WSP): Not suitable for steam service



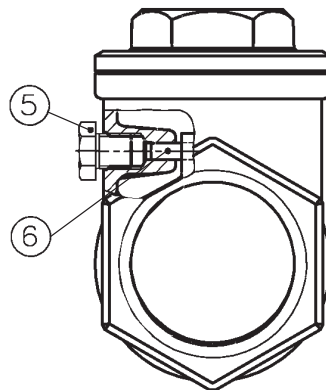
Pictured
T-451NL

DIMENSIONS									
Size	A (NPT)	A (CxC)	B (NPT)	B (CxC)	C (NPT)	C (CxC)	Cv (NPT)	Cv (CxC)	
3/8"	2.09	-	1.42	-	0.50	-	7	-	
1/2"	2.09	2.40	1.42	1.42	0.51	0.53	9	11	
3/4"	2.36	3.15	1.56	1.56	0.75	0.77	18	21	
1"	2.78	3.15	1.77	1.77	0.93	0.93	33	38	
1-1/4"	3.19	4.15	2.07	2.07	1.24	1.25	47	62	
1-1/2"	3.90	4.57	2.17	2.17	1.38	1.38	56	82	
2"	4.12	5.47	2.68	2.68	1.79	1.79	76	96	
2-1/2"	5.45	6.89	3.09	3.09	2.30	2.30	130	143	
3"	5.85	7.68	3.80	3.80	2.68	2.68	148	160	
4"	6.94	9.47	4.17	4.17	3.54	3.54	236	204	



Pictured
T-451NL
Cut-away view

MATERIAL SPECIFICATION			
PART	MATERIAL	SPECIFICATION	
1	Assembly Cap	Lead-free cast brass	UNS C46500
2	Gasket	Fiber	Commercial grade
3	Disc	Lead-free cast brass	UNS C46500
4	Body	Lead-free cast brass	UNS C46500
5	Pin retaining screw	Lead-free forged brass	UNS C46500
6	Hinge pin	Lead-free forged brass	UNS C46500



Pictured
T-451NL
Cut-away view

Certifications/Listings:

Third party certified.
 NSF/ANSI 61: Drinking water system components - Health effects.
 NSF/ANSI 372: Drinking water system components - Lead content.

Standards:

ANSI/ASME B1.20.1: Pipe threads, general purpose, Inch
 ANSI/ASME B16.18: Cast pressure alloy solder-joint pressure fitting