

## SUBMITTAL SHEET

JOB NAME		ITEM TAG
JOB LOCATION		PART NUMBER
CONTRACTOR	DATE	
ENGINEER APPROVAL	DATE	

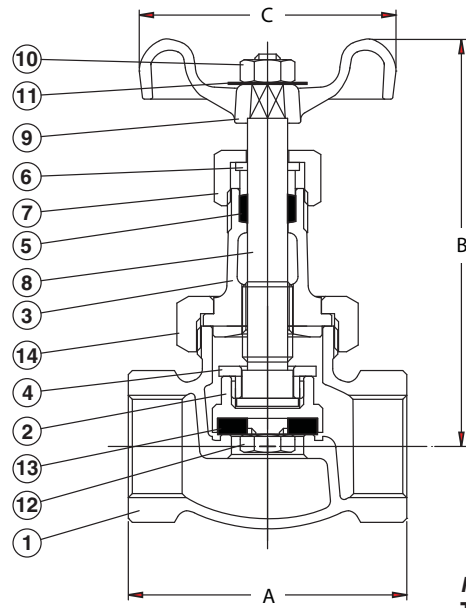
# UNION BONNET GLOBE VALVE

## T-422

- Heavy-duty bronze body, bonnet and union nut
- Union bonnet allows repeat maintenance
- Renewable PTFE seat disc
- Durable rising stem design
- Articulated stem and disc prolong seat life

- Working Pressure, Non-Shock (PSI)
- Saturated Steam: 150
- Cold Water, Oil, Gas: 300
- Test Pressure (PSI)
- Shell (Water): 450    Seat (Air): 80

- Class 150, 300 CWP
- Conforms to MSS-SP-80



**Pictured  
T-422**

### MATERIAL SPECIFICATION

PART	MATERIAL	SPECIFICATION
1 Body	Cast Bronze	ASTM B62 UNS C83600
2 Disc Holder	1/2" & 3/4" Brass 1" - 2" Cast Bronze	ASTM B16 UNS C36000 ASTM B62 UNS C83600
3 Bonnet	Cast Bronze	ASTM B62 UNS C83600
4 Lock Nut	Brass	ASTM B16 UNS C36000
5 Stem Packing	PTFE	Dupont Teflon*
6 Gland	Brass	ASTM B16 UNS C36000
7 Packing Nut	Brass	ASTM B16 UNS C36000
8 Stem	DZR brass	AS 352 UNS C3533
9 Handwheel	Cast Iron	ASTM A126 Class B
10 Wheel Nut	Steel	ASTM A563 Zn Plated
11 Name Plate	Aluminum	ASTM B209 1100
12 Disc Nut	1/2" & 3/4" Brass 1" - 2" Cast Bronze	ASTM B16 UNS C36000 ASTM B62 UNS C83600
13 Seat Disc	PTFE	Dupont Teflon*
14 Union Nut	Cast Bronze	ASTM B62 UNS C83600

\*TEFLON IS A REGISTERED TRADEMARK OF DUPONT

### DIMENSIONS

Size	A	B	C	Cv
1/2"	2.24	3.50	2.44	3.5
3/4"	2.64	3.98	2.68	6.6
1"	3.01	4.57	3.15	12.0
1-1/4"	3.46	5.04	3.54	22.0
1-1/2"	4.04	5.59	4.02	30.0
2"	4.78	6.57	4.37	50.0

### CHART DATA

Temp	PSI
0	300
50	300
100	300
150	300
200	266
250	233
300	200
350	166
400	133
450	100
450	0

