

**SUBMITTAL SHEET**

JOB NAME \_\_\_\_\_ ITEM TAG \_\_\_\_\_

JOB LOCATION \_\_\_\_\_ PART NUMBER \_\_\_\_\_

CONTRACTOR \_\_\_\_\_ DATE \_\_\_\_\_

ENGINEER APPROVAL \_\_\_\_\_ DATE \_\_\_\_\_

## LEAD-FREE FORGED BRASS FULL PORT BALL VALVE

### T-2000MxSNL

Lead-free design is suitable for all no-lead potable water installations, in full compliance of all lead-free plumbing laws.

Dezincification-resistant (DZR) forged brass resists corrosion from exposure to a wide variety of water conditions.

The 3/4" MNPT x 3/4" Sweat configuration allows the valve to be threaded directly into a tank or boiler header, with the transition to copper tubing right at the valve.

High-rise lever handle is oriented over the solder connection, permitting easy valve operation in close proximity to the tank wall or manifold, as well as a reduced chance of handle sleeve damage during the soldering process.

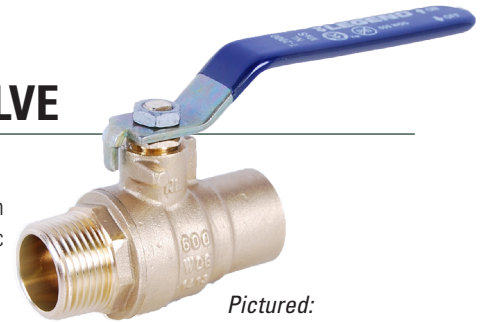
Bottom-loaded, blowout-proof stem features a dual-seal PTFE packing and EPDM rubber O-ring design, assuring positive sealing under temperature and pressure extremes.

Self-cleaning chrome-plated ball resists mineral build-up and scaling.

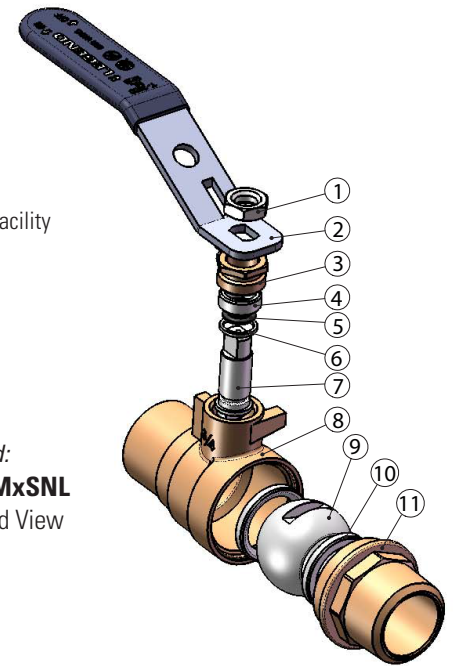
**Working Pressure, Non-Shock (PSI)**

Cold working pressure (CWP): 600 CWP  
Saturated Steam (WSP): 150 p.s.i.

- Third-party tested and certified in compliance with U.S. Federal Public Law 111-380 (National lead-free plumbing law).
- UPC / IAPMO certified to ANSI / NSF Standard 61-G: Meets NSF 372 lead content requirements.
- Conforms to MSS SP-110
- End connections comply with:  
ANSI / ASME B1.20.1 (MNPT)  
ANSI / ASME B16.18 (CTS solder)
- Manufactured in an ISO accredited facility



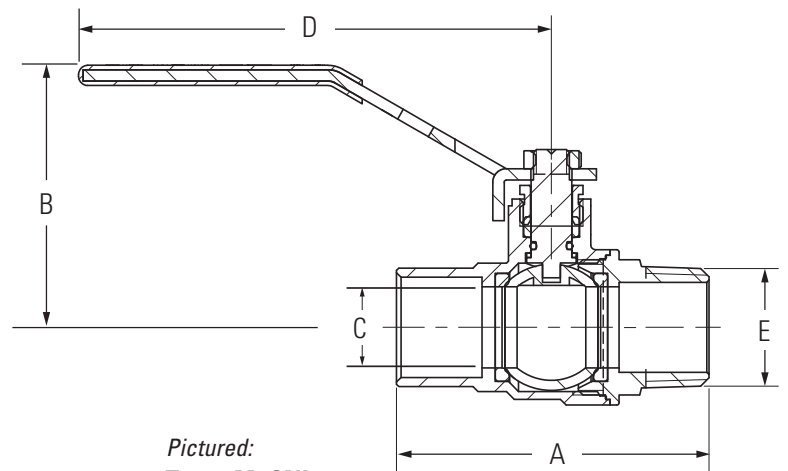
*Pictured:*  
**T-2000MxSNL**



*Pictured:*  
**T-2000MxSNL**  
Exploded View

DIMENSIONS					
Nominal Size	A	B	C	D	E
3/4" Sweat x MNPT	2.73	2.29	0.71	4.14	3/4" MNPT

MATERIAL SPECIFICATION		
PART	MATERIAL	SPECIFICATION
1 Handle nut	Zinc plated steel	ASTM A6, Q235
2 Lever handle	Zinc plated steel	ASTM A6, Q235
3 Packing nut	Forged brass	UNS Alloy C38500
4 Stem packing	PTFE	FR101 resin
5 Stem O-ring	EPDM rubber	Commercial grade
6 Anti-friction washer	PTFE	FR101 resin
7 Stem	Lead-free forged brass	UNS Alloy C46500
8 Body	Lead-free forged brass	UNS Alloy C46500
9 Ball	Lead-free chrome plated forged brass	UNS Alloy C46500
10 Seats (2)	PTFE	FR101 resin
11 End adapter	Lead-free forged brass	UNS Alloy C46500



*Pictured:*  
**T-2000MxSNL**  
Cut-away