

SUBMITTAL SHEET

JOB NAME	ITEM TAG
JOB LOCATION	PART NUMBER
CONTRACTOR	DATE
ENGINEER APPROVAL	DATE



LEAD-FREE BRONZE Y-PATTERN CHECK VALVE

T/S-453NL

Heavy-duty, full pattern bronze construction resists pipeline stresses and distortion.

Y-pattern body permits exceptional flow rates, typically required in commercial applications.

Large, integral seat and disc are tilted inward at 45 degrees, promoting linear flow and minimizing pressure drop.

Uni-directional flow: Can be installed in the horizontal (assembly cap upright) or vertical (upward flow only) positions.

Forged brass hinge pin assures smooth, non-binding disc operation

Available in female pipe threaded sizes 1/2" to 2" and female sweat tubing sizes 1/2" to 2".



Pictured:
T-453NL

Working Pressure, Non Shock (PSI)

Cold working pressure (CWP):	300 psi
Saturated steam (WSP):	150 psi
Maximum service temperature:	365°F

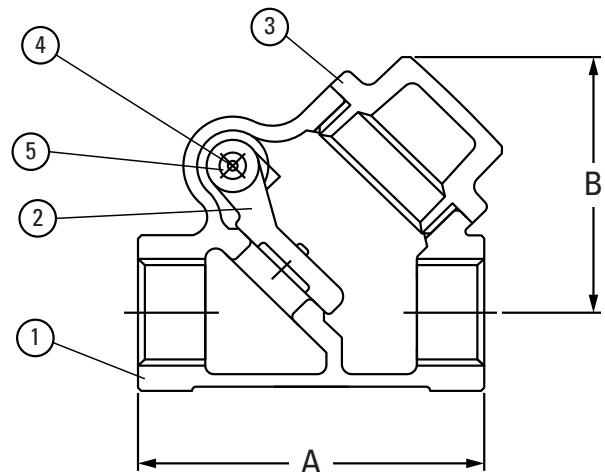
MATERIAL SPECIFICATION

PART	MATERIAL	SPECIFICATION
1 Body	Lead-free cast bronze	JIS H 5120 CAC 902
2 Disc	Lead-free cast bronze	JIS H 5120 CAC 902
3 Assembly cap	Lead-free cast bronze	JIS H 5120 CAC 902
4 Hinge pin	Forged brass	ASTM B16 UNS 36000
5 Pin retaining plug	Forged brass	ASTM B16 UNS 36000

DIMENSIONS

Size	A (IPS)	A (Cx C)	B	Cv (gpm)*
1/2"	2.20	2.68	1.67	3.50
3/4"	2.78	3.41	2.01	6.60
1"	3.15	4.09	2.28	12.00
1-1/4"	3.80	4.72	2.68	22.00
1-1/2"	4.33	5.39	3.07	30.00
2"	5.08	6.69	3.78	50.00

*The CV Factor is the gallons of water per minute passed through the valve with a 1 psi pressure drop.



Pictured:
T-453NL
Cut-away

Certifications/Listings:

Third-party certified.
NSF/ANSI 61: Drinking water system components - Health effects.
NSF/ANSI 372: Drinking water system components - Lead content

Standards:

MSS SP-80: Standard practice for bronze gate, globe, angle, and check valves.
ANSI/ASME B1.20.1: Pipe threads, general purpose, Inch.
ANSI/ASME B16.18: Cast Pressure alloy solder-joint pressure fittings.