

SUBMITTAL SHEET

JOB NAME	ITEM TAG
JOB LOCATION	PART NUMBER
CONTRACTOR	DATE
ENGINEER APPROVAL	DATE

LEAD FREE FORGED BRASS FULL PORT BALL VALVE

T/S-2000 No-Lead



Lead-free design is suitable for all no-lead potable water installations, in full compliance of all lead-free plumbing laws.

Dezincification-resistant (DZR) forged brass resists corrosion from exposure to a wide variety of water conditions.

Bottom-loaded, blowout-proof stem features a dual-seal PTFE packing and EPDM rubber O-ring design, assuring positive sealing under a multitude of conditions.

Self-cleaning chrome-plated ball resists mineral build-up and scaling typically found in harsh, varying water conditions.

Multiple certifications make the 2000NL series a multi-purpose valve, suitable for new or repair installations of plumbing or gas systems.

Stainless steel lever handles and handle nuts available (sold separately).

Available in female pipe thread (FNPT) sizes 1/4" to 4" and female sweat tubing (Sweat) sizes 1/2" to 4".

Working Pressure, Non-Shock (PSI)

Cold working pressure (CWP): 1/4" - 2" **600 CWP**
2-1/2" - 4" **400 CWP**

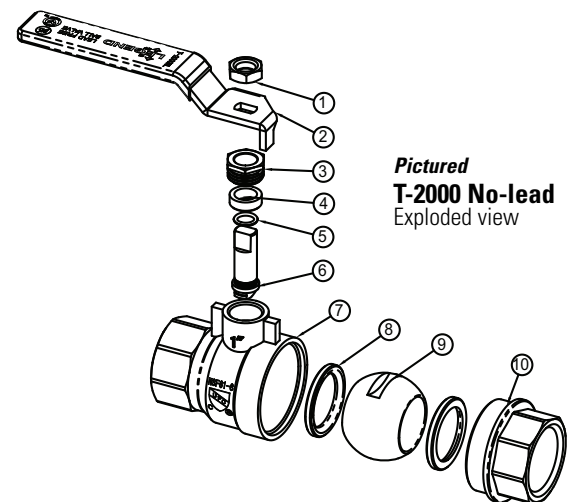
Saturated Steam: **150 PSI**

- Third-party tested and certified in compliance with U.S. Federal Public Law 111-380 (National lead-free plumbing law).
- UPC / IAPMO certified to ANSI / NSF Standard 61 Annex G: Meets NSF 372 lead content requirements.
- UL Listed 3LZW for LP, natural and manufactured gases to 250 psi maximum:
 - YQNZ.MH45831 Compressed gas shutoff valves
 - YRBX.MH45831 Flammable liquid shutoff valves
 - YRPV.MH45831 Gas shutoff valves
 - YSDT.MH45831 LP gas shutoff valves
 - MHKZ.MH45831 Manual valves
- CSA Certified for use with natural, manufactured, mixed, liquid petroleum and LP gas/air mixtures:
 - ANSI Standard Z21.15 for use as a gas appliance connector valve for 1/2-lb systems (1/4" to 2")
 - CSA Certified for use in 2 or 5 lb house piping systems (1/4" to 2")
 - ANSI/ASME B16.33 for use in gas piping systems up to 125 PSIG (1/2" to 2")
- Conforms to MSS SP-110
- End connections comply with ANSI / ASME B1.20.1 and ASME B16.18
- Manufactured in an ISO accredited facility

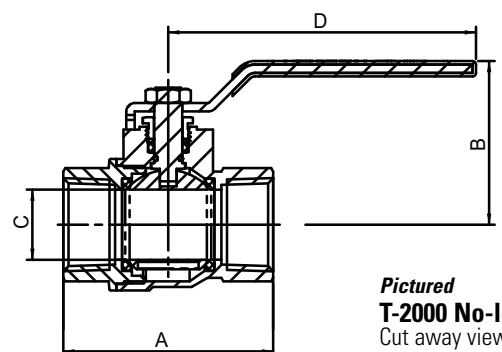


DIMENSIONS					
Size	A (IPS)	A (CxC)	B	C	D
1/4"	1.73		1.42	0.39	3.19
3/8"	1.73		1.42	0.39	3.19
1/2"	2.17	2.05	1.66	0.57	3.74
3/4"	2.46	2.76	1.90	0.75	3.74
1"	2.95	3.33	2.30	0.98	4.33
1-1/4"	3.39	3.86	2.70	1.26	5.12
1-1/2"	3.78	4.45	2.91	1.54	5.12
2"	4.33	5.47	3.48	1.95	6.34
2-1/2"	5.55	6.46	4.65	2.50	9.45
3"	6.38	7.52	5.02	3.03	9.45
4"	7.54	9.49	5.93	3.94	9.45

MATERIAL SPECIFICATION		
PART	MATERIAL	SPECIFICATION
1	Handle nut	Zinc plated steel ASME SA6, SA283 Grade C
2	Lever handle	Zinc plated steel ASME SA6, SA283 Grade C
3	Packing nut	Forged brass ASTM B455 UNS C38500
4	Stem packing	PTFE FR101 resin
5	Stem O-ring	EPDM rubber Commercial grade
6	Stem	Lead-free forged brass UNS Alloy C46500
7	Body	Lead-free forged brass UNS Alloy C46500
8	Seats (2)	PTFE FR101 resin
9	Ball	Lead-free chrome plated forged brass: 1/4" - 1" Stainless steel: 1-1/4" - 4" UNS Alloy C46500 AISI Grade 304
10	End adapter	Lead-free forged brass UNS Alloy C46500



Pictured T-2000 No-lead
Exploded view



Pictured T-2000 No-lead
Cut away view

SUBMITTAL SHEET

JOB NAME	ITEM TAG
JOB LOCATION	PART NUMBER
CONTRACTOR	DATE
ENGINEER APPROVAL	DATE

FULL PORT BALL VALVE

T/S-2000

Durable forged brass body.
Bottom-loaded, blowout-proof, gland-follower stem design.
Positive-seal stem features dual-seal PTFE packing and EPDM rubber O-ring.
Complete certifications compliance.
Available in female pipe threaded sizes 1/4" to 4" and female sweat tubing sizes 1/2" to 4"

Working Pressure, Non-Shock (PSI)

Cold Water, Oil, Gas: 1/4" to 2" 600 CWP
2-1/2" to 4" 400 CWP
Saturated Steam: All sizes 150 psi



- Conforms to MSS SP-110
- UPC/IAPMO tested and certified to ANSI/NSF Standard 61-8
- CSA Certified for use with natural, manufactured, mixed, liquid petroleum, and LP gas/air mixtures:
 - ANSI Standard Z21.15 for use as gas appliance connector valve for 1/2-lb systems (1/4" to 2")
 - CSA Certified for use in 2 or 5 lb house piping systems (1/4" to 4")
- Factory Mutual approved for fire protection service (Threaded: 1/4" to 2" Sweat: 1/2" to 2")
- Manufactured in an ISO 9002 accredited facility
- End connections comply with ANSI/ASME B1.20.1 and ASME B16.18
- UL Listed 3LZW for LP, natural and manufactured gases to 250 psi maximum:
 - YQNZ.MH45831 Compressed gas shutoff valves
 - YRBX.MH45831 Flammable liquid shutoff valves.
 - YRPV.MH45831 Gas shutoff valves
 - YSDT.MH45831 LP gas shutoff valves
 - MHKZ.MH45831 Manual valves



MATERIAL SPECIFICATION

PART	MATERIAL	SPECIFICATION
1 Handle nut	Zinc plated steel	ASME SA6, SA283 Grade C
2 Lever handle	Zinc plated steel	ASME SA6, SA283 Grade C
3 Packing nut	Forged brass	ASTM B455 UNS C38500
4 Stem packing	PTFE	FR101 resin
5 Stem O-ring	EPDM rubber	Commercial grade
6 Stem	Forged brass	ASTM B16 UNS C36000
7 Body	Forged brass	ASTM B124 / 124M UNS C37700
8 Seats (2)	PTFE	FR101 resin
9 Ball	Chrome plated forged brass	ASTM B455 UNS C38500
10 End adapter	Forged brass	ASTM B124 / 124M UNS C37700

DIMENSIONS

Size	A (IPS)	A (Cx C)	B	C	D
1/4"	1.73		1.42	0.39	3.19
3/8"	1.73		1.42	0.39	3.19
1/2"	2.17	2.05	1.66	0.57	3.74
3/4"	2.46	2.76	1.90	0.75	3.74
1"	2.95	3.33	2.30	0.98	4.33
1-1/4"	3.39	3.86	2.70	1.26	5.12
1-1/2"	3.78	4.45	2.91	1.54	5.12
2"	4.33	5.47	3.48	1.95	6.34
2-1/2"	5.55	6.46	4.65	2.50	9.45
3"	6.38	7.52	5.02	3.03	9.45
4"	7.54	9.49	5.93	3.94	9.45

