

SUBMITTAL SHEET

JOB NAME	ITEM TAG
JOB LOCATION	PART NUMBER
CONTRACTOR	DATE
ENGINEER APPROVAL	DATE



NO LEAD FULL PORT PRESS BALL VALVE (1/2" TO 2")

P-201NL LEGENDPRESS® YELLOW HANDLE

Press-to-connect end connections are designed for installation onto ASTM B88 types K, L and M hard-drawn copper tubing. Coiled (annealed) soft copper tubing is not recommended, but can be used if ends are made round. Compatible with commercially-available VUS profile jaws.

Deeper tubing sockets at each connection provide extra stability during the pressing process.

Available in sizes 1/2" to 2" in the Press x Press configuration. For insertion depth, see the chart below.

Working Pressure, Non Shock (PSI)

Cold working pressure (CWP):
 1/2" and 3/4": 600 psi
 1" and 1-1/4": 500 psi
 1-1/2" and 2" 400 psi

Saturated steam (WSP): Not suitable for steam service

Maximum Service Temperature: 250 psi @ 230°F

MATERIAL SPECIFICATION

PART	MATERIAL	SPECIFICATION
1 Ball	Chrome-plated lead-free forged brass	CW510L
2 Thrust washer	PTFE	Commercial grade
3 Handle	Dacromet coated steel	Fe 590HK
4 End adapter	Lead-free forged brass	CW509L
5 Seats (2)	PTFE	Commercial grade
6 Handle nut	Dacromet coated steel with PVC resin lock	Commercial grade
7 Body	Lead-free forged brass	CW509L
8 Stem	Chrome-plated lead-free forged brass	CW510L
9 Stem O-rings (2)	Fluoroelastomer (Viton)	Commercial grade
10 Socket O-rings (2)	EPDM	Commercial grade
11 Anti-friction washer	PTFE	Commercial grade

DIMENSIONS

Size	A	B	C	D	E	F
1/2"	3.51	1.43	0.59	3.04	2.09	4.80
3/4"	4.10	1.90	0.79	3.74	2.72	5.79
1"	4.40	2.06	1.00	3.74	3.03	5.94
1-1/4"	4.85	2.24	1.26	3.74	3.43	6.16
1-1/2"	6.11	2.77	1.58	5.38	4.21	8.44
2"	7.04	3.08	2.00	5.38	4.80	8.92

P-201NL LEGENDPRESS® TUBING INSERTION DEPTH

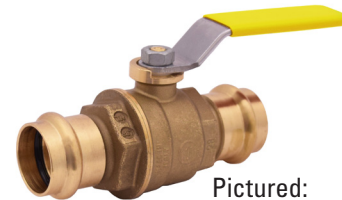
Nominal tubing size	1/2"	3/4"	1"	1-1/4"	1-1/2"	2"
Insertion depth: In	7/8"	1"	1"	1-1/16"	1-3/8"	1-9/16"
mm.	22	25	25	27	35	40

Certifications/Listing:

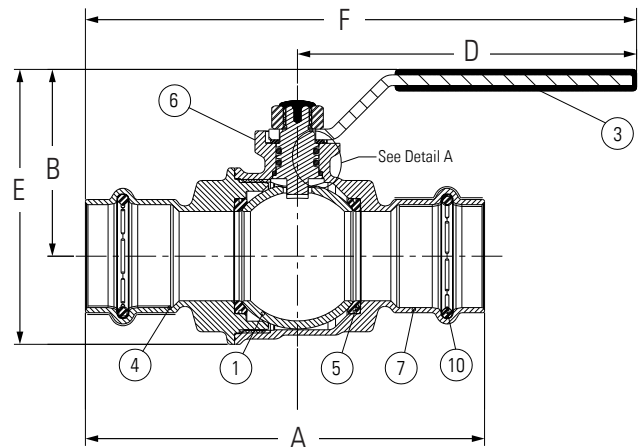
Third party certified.
 ANSI/NSF 61: Drinking water system components health effects.
 ANSI/NSF 372: Drinking water system components lead content.

Standards:

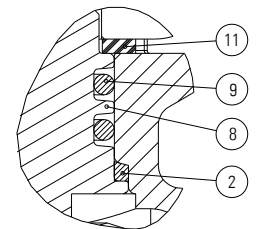
ANSI/ASME B16.51: Copper and copper alloy press-connect pressure fittings.



Pictured:
P-201NL LegendPress®



Pictured:
P-201NL LegendPress®
Cut-away view



Pictured:
P-201NL LegendPress®
Stem area detail