

SUBMITTAL SHEET

JOB NAME	ITEM TAG
JOB LOCATION	PART NUMBER
CONTRACTOR	DATE
ENGINEER APPROVAL	DATE

CIRCUIT ACTUATOR

Manifold Circuit Actuator - 8330 Series

Condition in absence of voltage Normally Closed NC.
 First open function*
 Valve working stroke 0.16" (4mm).
 Class II dust protection.
 Opening time at 77°F ≈ 3.5 minutes.
 Working ambient temperature: 32°F - 140°F .
 Storage ambient temperature: -13°F - 140°F.
 Fluid temperature : 0°F - 212°F .
 Mountable in any orientation.
 Valve position indicator on top of valve casing.
 Double insulated electrical enclosure.
 Reliable thermo-electric operation.
 Noiseless and maintenance-free.

Technical Data:

Supply voltage: 24VAC
 Max Inrush current: <300mA (7.2VA) for 2 minutes max
 Operating current: 1 Watt (1.0VA)
 Opening/Closing time: approx 3.5 minutes

End Switch:

- Normally Open (NO)
- 24VAC, 0.5mA max
- Makes at about 50% of stroke

Wiring info:

- 24VAC Power - Yellow wires
- End switch - Red wires

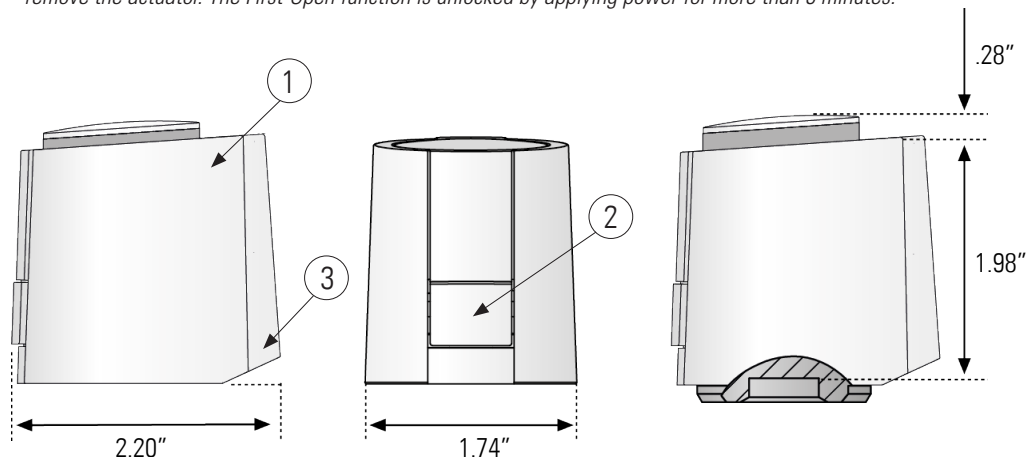


Pictured:
Circuit Actuator

MATERIAL SPECIFICATION

PART	MATERIAL
1 Casing material	Flame retardant plastic
2 Valve release	Flame retardant plastic
3 Cable connection	Flame retardant plastic
4 Supply cable	4 wire 72" useful length

**With the First-Open Function, the actuator is shipped in the open position, even for the normally-closed actuator. This function makes installations easier, allowing fill and purge of the system without having to remove the actuator. The First-Open function is unlocked by applying power for more than 6 minutes.*



Pictured:
Circuit Actuator
(Cable not shown)