

Balance Valve

WITH FLOW METER

Installation Guide

Description

The balancing valve allows you to adjust the flowrate of the water circulating in a heating or cooling system. This valve is equipped with a flow meter for a direct reading of the flowrate. The flow meter is housed in a by-pass circuit on the valve body and allows fast and easy balancing of circuits without the need for differential pressure gauges or diagrams. It can be shut off during normal functioning. The valve with flow meter can be installed in either the horizontal or vertical position.



Pictured:
Balancing Valve

Part Number	Connection	Version
800-775	1"	Valve with flow meter
800-775NF	1"	Valve without flow meter
800-FM-318	1/4"	Flow meter with housing

Technical Data

- Working temperature range: 40°-195°F - with flow meter
40°-230°F - without flow meter
- Max working pressure: 90 psi - with flow meter
200 psi - without flow meter
- Compatible fluids: water, glycol solutions (max concentration of glycol 50 %)
- Connections: 1" with tail pieces set.
- Flowrate Range: 0-13 GPM

Other features

- Equipped with mechanical memory stop that limits the hand wheel travel, allowing the user to set a minimum flow rate.
- There is also a drain in the bottom of the valve.

Connections	Cv (Venturi flow meter)	Cv (complete valve)
1"	9.5	6.0

Flowrate values related to differential pressure on Venturi flow meter ()
or for the complete value (**)*

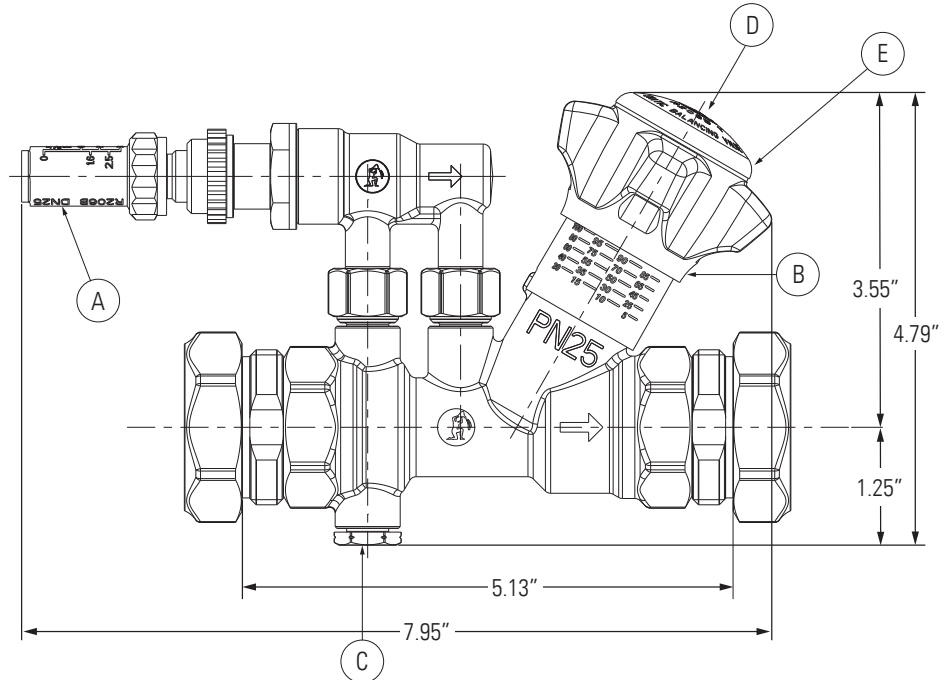
Connections	.77 psi (*)	.44 psi (*)	1.45 psi (**)
1"	3.4 GPM	8.37 GPM	9.69 GPM

Balance Valve

WITH FLOW METER

Installation Guide

Legend	
A	Flow meter
B	Hand wheel
C	Drain 1/4"
D	Removable cap (for presetting)
E	Memory stop (under cap)



Operation

With Flow Meter

To enable the operation of the flow meter, fully open by turning it counter-clockwise.

To disable the operation of the flow meter, fully close by turning it clockwise.

Installation

- The valve must be installed maintaining free access to the flow meter, drain and hand wheel.
- The valve and the pipe on which it is installed must have the same nominal diameter.
- Flush the system before installing the valve.
- Insert a strainer upstream of the valve.
- Verify the flow direction stamped on the valve's body.
- The valve can be installed in horizontal or vertical pipes.
- If the valve is installed after an elbow, it is recommended to maintain a minimum length of straight pipe equal to 5 pipe diameters before the valve and 2 pipe diameters after the valve. (Figure 1)
- If there is a pump immediately upstream the valve, the minimum recommended length of the straight pipe is 10 times the nominal diameter before the valve and 2 times the pipe diameter after the valve. (Figure 2)
- Reference the LegendConnect IOM for installation of the different connection types to the piping.

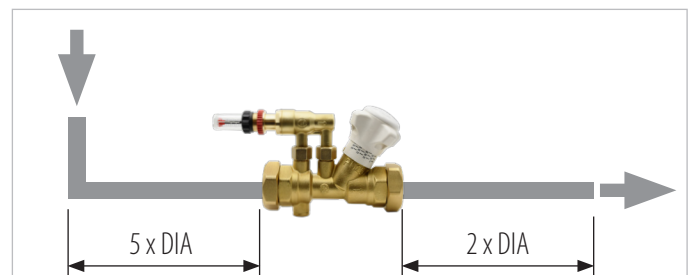


Figure 1

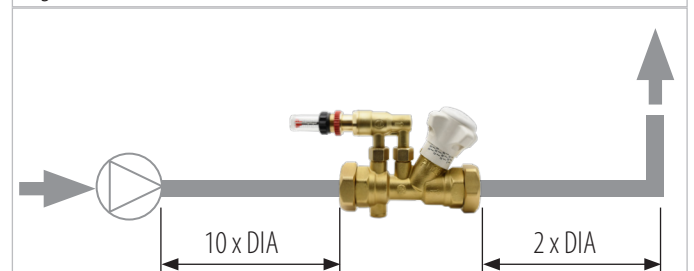


Figure 2