

SUBMITTAL SHEET

JOB NAME		ITEM TAG
JOB LOCATION		PART NUMBER
CONTRACTOR	DATE	
ENGINEER APPROVAL	DATE	

TUBE TRACK DUO

Tube Mounting System

Used to hold tubing to rigid foam, wood or concrete.

Mounting holes are provided for appropriate fasteners.

Use tube holding pins (sold separately) in rigid foam installations.

Clips at end of each piece allow the 39" sections to snap together.

The small holding tabs accept 3/8" or 1/2" tube, and the large holding tabs accept 5/8" or 3/4" tube.

Like sized tabs are spaced apart every 4".

High quality material is durable and resists breaking.

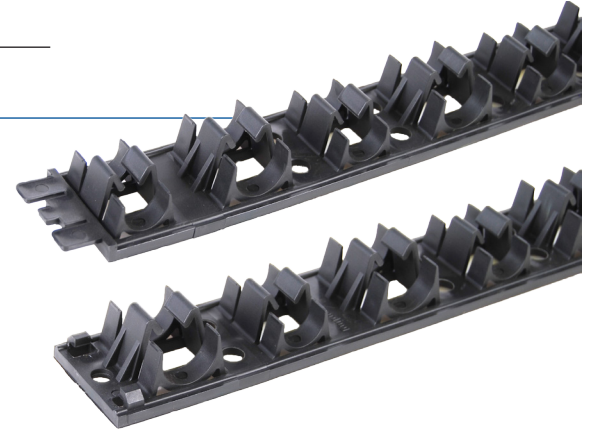
SPECIFICATIONS:

Each piece measures 2" wide x 39" long x 1-1/8" tall.

Connect multiple pieces together to make any length required.

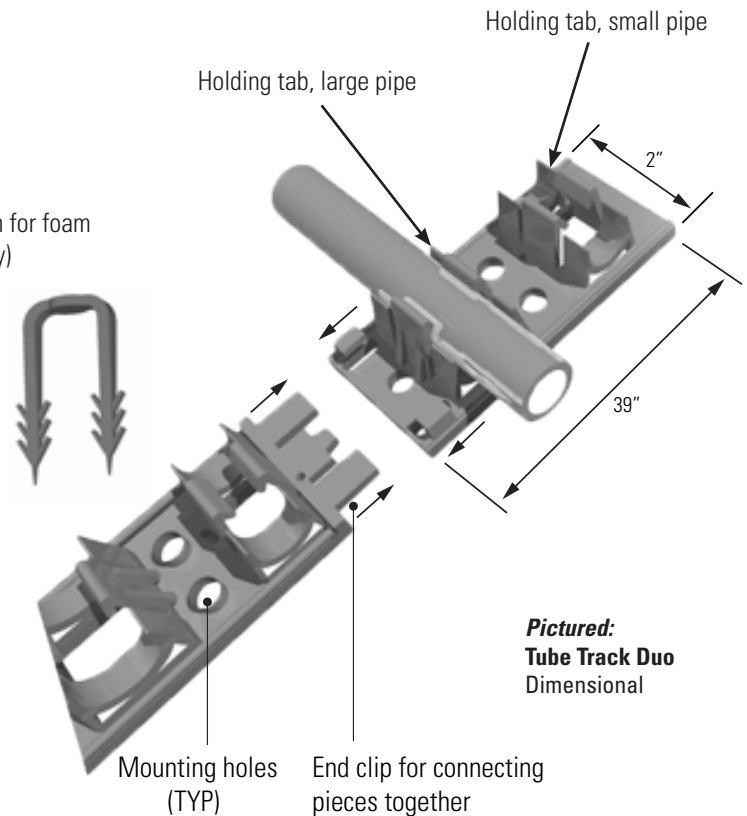
Hold 3/8", 1/2", 5/8" and 3/4" nominal tube sizes.

Holding tabs provide spacing in 4" increments.



Pictured:
Tube Track Duo
Opposite Ends

Pictured:
Tube Holder Pin for foam
(sold separately)



Pictured:
Tube Track Duo
Dimensional