

SUBMITTAL SHEET

JOB NAME	ITEM TAG
JOB LOCATION	PART NUMBER
CONTRACTOR	DATE
ENGINEER APPROVAL	DATE

SUMP PUMP CHECK VALVE

Model S-613

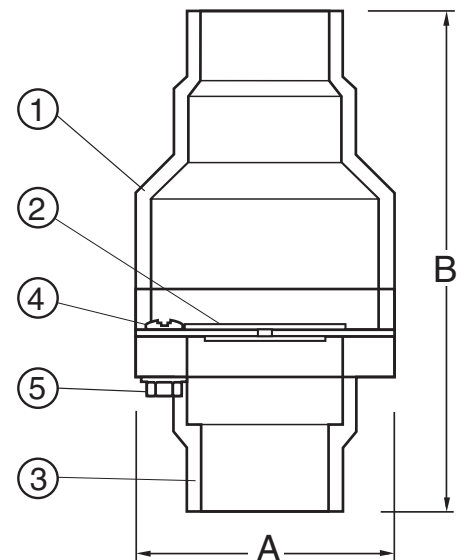
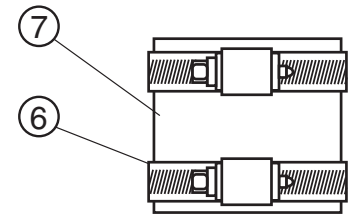
- Full-flow design
- Can be installed horizontal or vertical
- Slip x slip
- Abs body
- Designed for low pressure systems (4.3 Psi - 10 ft. Of head)
- 130 F max temperature
- 25 PSI max pressure

Working Pressure, Non Shock (PSI)

- Cold working pressure (CWP):
- Saturated steam (WSP):



Pictured Model S-613



Pictured Model S-613 Cut-away

MATERIAL SPECIFICATION

PART	MATERIAL	SPECIFICATION
1 Top body	ABS	
2 Flapper	EPDM rubber and S.S.	
3 Bottom body	ABS	
4 Screw	Carbon steel	
5 Nut	Carbon steel	
6 Clamp	S.S. Band & carbon steel screw	
7 Rubber end adapters	Thermoplastic	

DIMENSIONS

Size	A	B
1-1/4" & 1-1/2"	2.69	4.81
2"	3.13	4.56