

**SUBMITTAL SHEET**

JOB NAME	ITEM TAG
JOB LOCATION	PART NUMBER
CONTRACTOR	DATE
ENGINEER APPROVAL	DATE

**ONE-PIECE CONVENTIONAL PORT CARBON STEEL BALL VALVE**

**T-720**

Heavy-duty one-piece barstock body design  
Bottom-loaded blowout-proof stem  
Ideal for commercial or industrial applications where port size is not critical

**Working Pressure, Non-Shock (PSI)**

Saturated Steam: 150  
Cold Water, Oil, Gas: 1/4" - 1" 2000 CWP  
1-1/4" - 2" 1500 CWP

Conforms to Federal Specification WW-V-35C, Type II, Composition: CS, Style: 3

Conforms to MSS Standard Practice 110

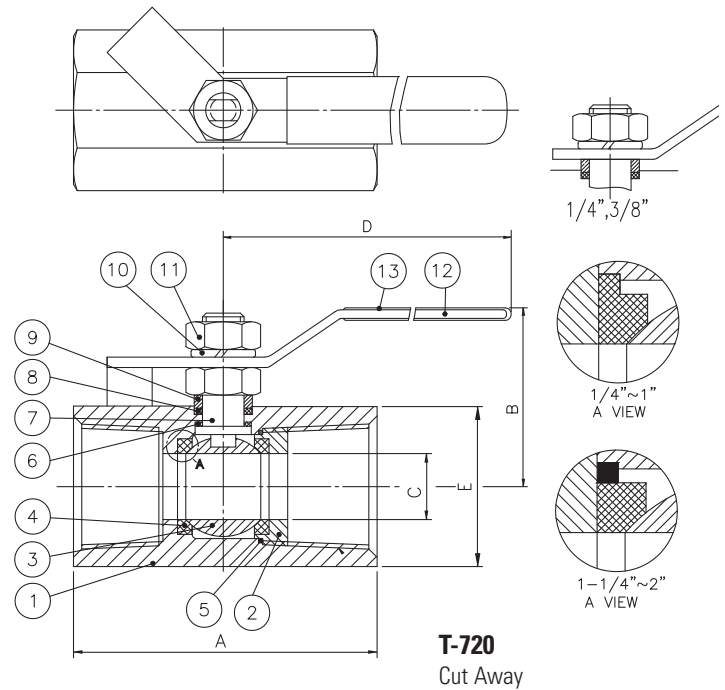
Threaded end connections comply with ANSI / ASME B1.20.1

Manufactured in an ISO 9002 accredited facility



MATERIAL SPECIFICATION		
PART	MATERIAL	SPECIFICATION
1 Body	Carbon Steel Barstock	ASTM A105
2 End Cap	Carbon Steel Barstock	ASTM A105
3 Ball	Stainless Steel	1/4" - 3/4": ASTM A276 316
4 Seats (2)	PTFE	Dupont Teflon*
5 End Cap Seal	PTFE	Dupont Teflon*
6 Thrust Washer	PTFE	Dupont Teflon*
7 Stem	Stainless Steel	ASTM A276 316
8 Stem Packing	PTFE	Dupont Teflon*
9 Gland Bushing	Stainless Steel	AISI 304
10 Stem Washer	Stainless Steel	AISI 304
11 Stem Nut	Stainless Steel	AISI 304
12 Handle	Stainless Steel	AISI 304
13 Handle Sleeve	Vinyl	Commercial grade

\*TEFLON IS A REGISTERED TRADEMARK OF DUPONT



DIMENSIONS					
Size	A	B	C	D	E
1/4"	1.67	0.83	0.20	2.66	1.38
3/8"	1.89	0.91	0.28	3.35	1.42
1/2"	2.32	1.14	0.36	4.33	2.44
3/4"	2.60	1.38	0.49	4.33	2.50
1"	3.07	1.61	0.59	4.84	2.63
1-1/4"	3.66	2.17	0.79	4.84	2.87
1-1/2"	3.94	2.24	0.98	5.91	3.02
2"	4.33	2.89	1.26	6.06	3.40

