

**SUBMITTAL SHEET**

JOB NAME	ITEM TAG
JOB LOCATION	PART NUMBER
CONTRACTOR	DATE
ENGINEER APPROVAL	DATE

**1 PC. STAINLESS STEEL BALL VALVE**

**Model T-710-T**

800 P.S.I. W.O.G.

**Working Pressure, Non Shock (PSI)**

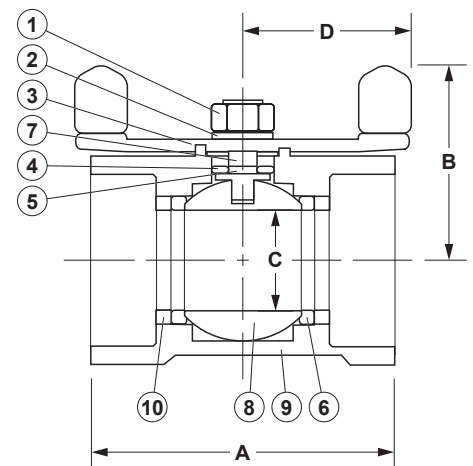
Cold working pressure (CWP):

Saturated steam (WSP): 150

*Pictured*  
**Model T-710-T**



*Pictured*  
**Model T-710-T**  
Cut-away



**MATERIAL SPECIFICATION**

PART	MATERIAL	SPECIFICATION
1 Handle nut	304 S.S.	
2 Handle	304 S.S.	
3 Packing gland	304 S.S.	
4 Stem packing	*Teflon	
5 Thrust washer	*Teflon	
6 Seats	*Teflon	
7 Stem	316 S.S.	
8 Ball	316 S.S.	
9 Body	316 S.S.	
10 Seat retainer	316 S.S.	

\*Teflon is a registered trademark of Dupont

**DIMENSIONS**

Size	A	B	C	D
1/4"	1.59	1.50	2.00	2.75