

SUBMITTAL SHEET

JOB NAME	ITEM TAG
JOB LOCATION	PART NUMBER
CONTRACTOR	DATE
ENGINEER APPROVAL	DATE

CELCON HOSE BIBB

Model T-627

Temperature: -20° TO 180°F

Working Pressure, Non Shock (PSI)

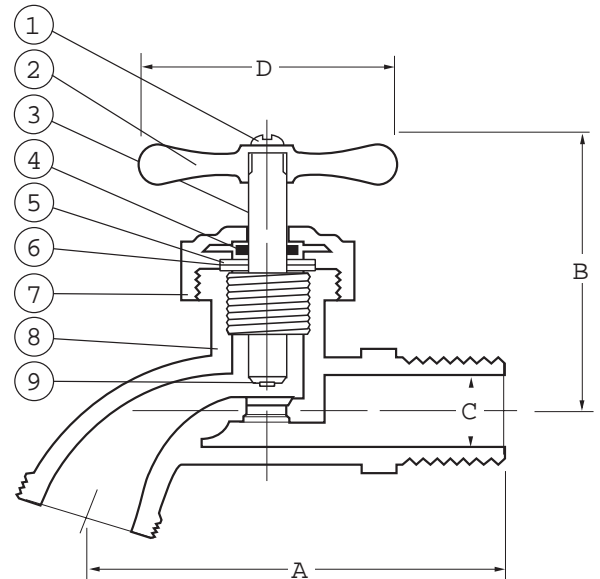
Cold working pressure (CWP): 150

Saturated steam (WSP):

Pictured
Model T-627



Pictured
Model T-627
Cut-away



MATERIAL SPECIFICATION		
PART	MATERIAL	SPECIFICATION
1 Screw	Zinc plated steel	
2 Handle	Celcon	
3 Stem	Celcon	
4 O-Ring	EPDM	
5 Hard washer	Celcon	
6 Washer	EPDM	
7 Bonnet	Celcon	
8 Body	Celcon	
9 Seat seal	Polyamide nylon 12	

DIMENSIONS				
Size	A	B	C	D
1/2"	3.74	2.85	0.50	2.45
3/4"	3.74	2.85	.75	2.45