

SUBMITTAL SHEET

JOB NAME	ITEM TAG
JOB LOCATION	PART NUMBER
CONTRACTOR	DATE
ENGINEER APPROVAL	DATE

PVC BALL VALVE

Model T/S-601

Maximum service temperature: 140°F

Working Pressure, Non Shock (PSI)

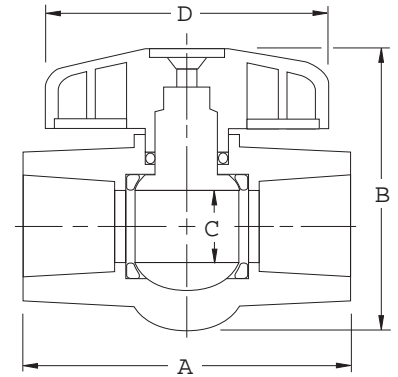
Cold working pressure (CWP):

Pressure rating (WOG): 150 @ 73°F

Pictured
Model T/S-601



Pictured
Model T/S-601
Cut-away



MATERIAL SPECIFICATION

PART	MATERIAL
1 Handle	ABS
2 Stem o-ring	EPDM
3 Stem	PVC
4 Ball	PVC
5 Seats	EPDM
6 Body	PVC
7 Handle retaining screw	Zinc plated steel

DIMENSIONS

Size	A	B	C	D
1/4"	2.06	1.63	.29	2.00
1/2"	3.25	2.50	.55	3.13
3/4"	3.81	3.13	.77	3.50
1"	4.19	3.75	.97	4.00
1-1/4"	4.25	4.00	1.14	4.00
1-1/2"	5.13	4.50	1.42	4.25
2"	5.81	5.31	1.83	5.31
2-1/2"	8.00	6.25	2.37	7.00
3"	9.00	7.50	2.98	8.81
4"	11.88	9.25	3.97	10.88