

**SUBMITTAL SHEET**

JOB NAME	ITEM TAG
JOB LOCATION	PART NUMBER
CONTRACTOR	DATE
ENGINEER APPROVAL	DATE

**DUAL-CHECK HOSE BIBB VACUUM BREAKER**

**T-556**



**Pictured  
T-556**

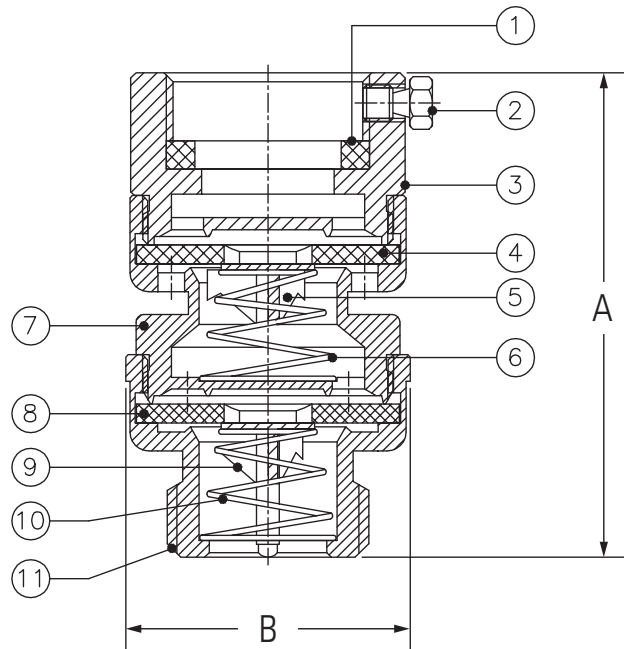
Female inlet x male outlet garden hose thread connections.  
 Dual-piston check and full-perimeter atmospheric vent design, assure positive back flow prevention.  
 Durable forged brass construction withstands the elements and delivers years of protection and hassle-free operation.  
 Unidirectional flow. Automatic vacuum interruption prevents backsiphonage.  
 Equipped with a break-away set screw for tamper-resistant installation.  
 Not for continuous pressure installations.

**Working Pressure, Non Shock (PSI)**

Cold Working Pressure (CWP): 125  
 Saturated Steam (WSP): Not suitable for steam service  
 Maximum Water Pressure: 180°F

MATERIAL SPECIFICATION		
PART	MATERIAL	SPECIFICATION
1 Inlet connection gasket	NBR (Nitrile) rubber	Commercial grade
2 Setscrew	Stainless steel	AISI Grade 304
3 Inlet body segment	Forged brass	ASTM B16 UNS C36000
4 Inlet seat gasket	NBR (Nitrile) rubber	Commercial grade
5 Piston #1	Acetal copolymer resin	Commercial grade, POM M90
6 Piston spring	Stainless steel	AISI Grade 304
7 Connector body segment	Forged brass	ASTM B16 UNS C36000
8 Outlet seat gasket	NBR (Nitrile) rubber	Commercial grade
9 Piston #2	Acetal copolymer resin	Commercial grade, POM M90
10 Piston spring	Stainless steel	AISI Grade 304
11 Outlet body segment	Forged brass	ASTM B16 UNS C36000

DIMENSIONS		
Size	A	B
3/4"	2.52	1.48



**Pictured  
T-556 FNPT x MNPT  
Cut-away**

**Certifications/Listings:**

Third-party certified.  
 ASSE 1052: Hose connection back flow preventers.  
 CSA B64.2.1.1: Back flow preventers and vacuum breakers.

**Standards:**

ANSI/ASME B1.20.7: Hose coupling screw threads, inch.