

SUBMITTAL SHEET

JOB NAME	ITEM TAG
JOB LOCATION	PART NUMBER
CONTRACTOR	DATE
ENGINEER APPROVAL	DATE



LEAD-FREE HOSE BIBB VACUUM BREAKER

T-553NL

Lead-free design is suitable for all no-lead potable water installations, in full compliance of the National lead-free plumbing law.

Female x Male garden hose thread connections.

Durable forged brass construction.

Automatic vacuum interruption prevents backsiphonage.

Breakaway set screw for tamper-resistant installation.

Not for continuous pressure installations.

Working Pressure, Non Shock (PSI)

Cold working pressure (CWP): Max 125
Saturated steam (WSP): Not suitable for steam service
Maximum service temperature: 180°F

MATERIAL SPECIFICATION		
PART	MATERIAL	SPECIFICATION
1	Body	Lead-free forged brass JIS C6802 Alloy
2	Washer	Neoprene Commercial grade 55
3	Piston seal retainer	Acetal resin FM090 Acetal copolymer (POM)
4	Piston seal	NBR (Nitrile) rubber Commercial grade
5	Piston	Acetal resin FM090 Acetal copolymer (POM)
6	Piston spring	Stainless steel AISI 304
7	Setscrew	Chrome plated mild carbon steel AISI 12L14 (ASTM A108)

DIMENSIONS		
Size	A	B
3/4"	1.25	1.26

Certifications/Listings:

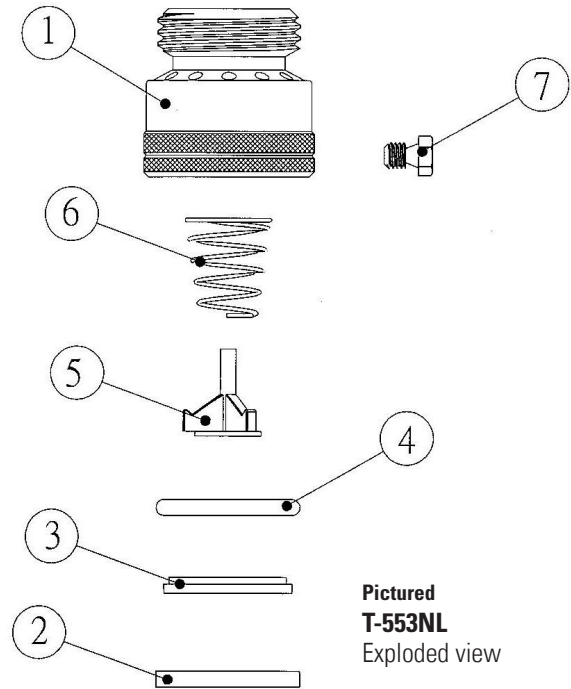
Third-party certified.
ANSI/NSF 372: Drinking water system components lead content.
ASSE 1011: Performance requirements for back flow preventers with an intermediate atmospheric vent.
CSA B64.2: Back flow preventers and vacuum breakers.

Standards:

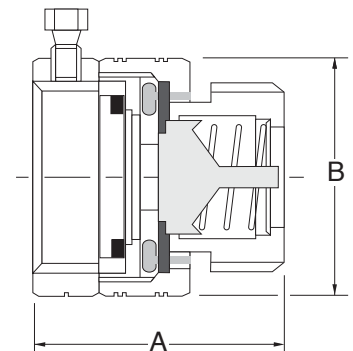
ANSI/ASME B1.20.7: Hose coupling screw threads, Inch.



**Pictured
T-553NL**



**Pictured
T-553NL
Exploded view**



**Pictured
T-553NL
Exploded view**