

SUBMITTAL SHEET

JOB NAME		ITEM TAG
JOB LOCATION		PART NUMBER
CONTRACTOR	DATE	
ENGINEER APPROVAL	DATE	



NO LEAD CURB STOP

T-5500LWNL

Lead-free design is suitable for all no-lead potable water installations, in full compliance of the lead-free plumbing law.

90-degree operation with enclosed operating head stops.

Operating head has been drilled to accept stationary rod cotter pin attachment.

Lock wing allows for locking the valve in the closed position.

Full-port, ball-and-seat design is superior to plug-type designs.

Durable, Teflon*-coated ball assures positive, bubble-tight shutoff, low torque operation and long service life.

For underground water service installations only, to permit shutoff of the water supply, from the water main to the building.

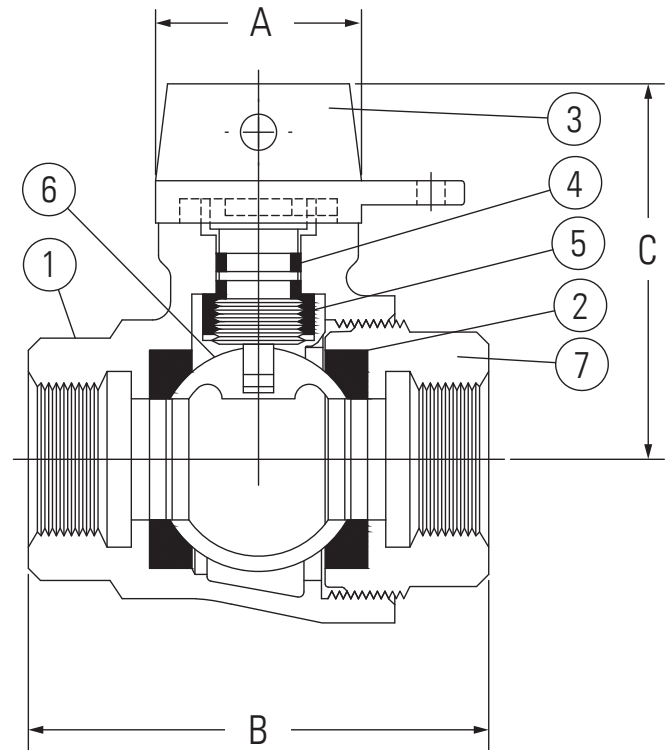
Available in NPT nominal sizes 3/4" through 2".

Working Pressure, Non Shock (PSI)

Cold working pressure (CWP): 300 psi - 100°F Max



Pictured:
Model T-5500LWNL



Pictured:
Model T-5500LWNL
Cut-away

MATERIAL SPECIFICATION

PART	MATERIAL	SPECIFICATION
1 Body	Lead-free cast bronze	ASTM B584 - UNS C89833
2 Seats (2)	Buna-N (NBR) nitrilic rubber	Commercial grade
3 Operating head and stem	Lead-free cast bronze	ASTM B584 - UNS C89833
4 Stem O-rings (2)	Buna-N (NBR) nitrilic rubber	Commercial grade
5 Stem locknut	Lead-free cast bronze	ASTM B584 - UNS C89833
6 Ball	Teflon* coated lead-free cast bronze	ASTM B584 - UNS C89833
7 End adapter	Lead-free cast bronze	ASTM B584 - UNS C89833

*Teflon is a registered trademark of DuPont.

DIMENSIONS

Size	A	B	C
3/4"	1.58	2.74	2.48
1"	1.58	3.33	2.78
1-1/4"	1.58	4.63	2.78
1-1/2"	2.01	4.45	3.50
2"	2.01	4.94	3.74

Certifications/Listing:

Third party certified.
ANSI/NSF 372: Drinking water system components lead content.

Standards:

AWWA C800: Underground service line valve and fittings.
ANSI/ASME B1.20.1: Pipe threads, general purpose, Inch.