

SUBMITTAL SHEET

JOB NAME	ITEM TAG
JOB LOCATION	PART NUMBER
CONTRACTOR	DATE
ENGINEER APPROVAL	DATE

LEAD-FREE CURB STOP

T-5200NL

Lead-free design is suitable for all no-lead potable water installations, in full compliance of the lead-free plumbing law.

Copper flare nut end connections provide strong pullout resistance.

90-degree operation with enclosed operating head stops.

Operating head has been drilled to accept stationary rod cotter pin attachment.

Full-port, ball-and-seat design is superior to plug-type designs.

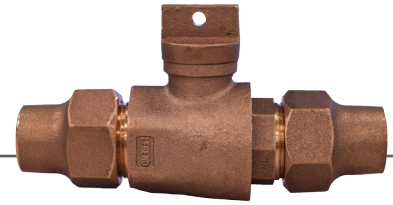
Durable, Teflon*-coated ball assures positive, bubble-tight shutoff, low torque operation and long service life.

For underground water service installations only, to permit shutoff of the water supply, from the water main to the building.

Available in CTS nominal sizes 3/4" through 2".

- Third-party tested and certified in compliance with U.S. Federal Public Law 111-380 (National lead-free plumbing law).
- Certified lead-free and in compliance with NSF 372 lead content requirements.
- Manufactured to AWWA C800 specifications.
- Tubing flare end connections are designed to be installed onto correctly-flared Types K or L copper water tubing, compliant with ASTM B88.

Pictured:
Model T-5200NL



Working Pressure, Non Shock (PSI)

Cold Working Pressure (CWP): 300 psi - 100°F Max

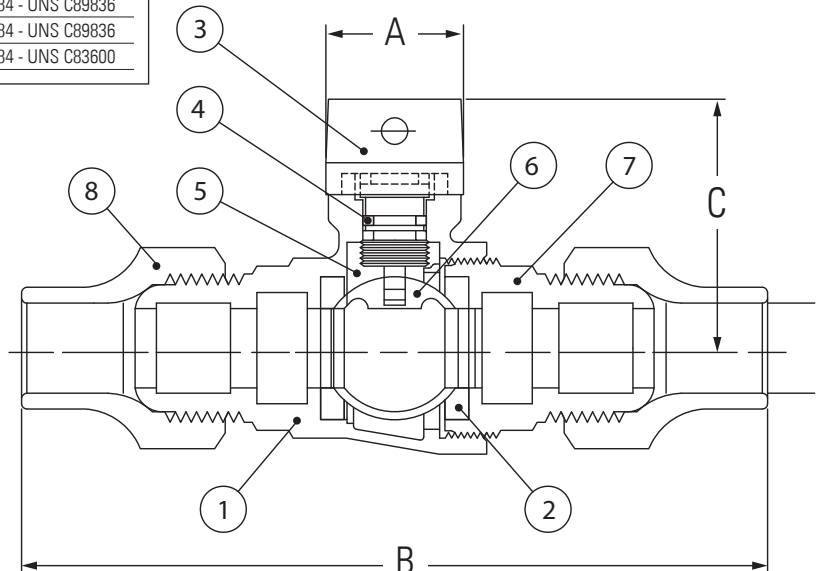
MATERIAL SPECIFICATION

PART	MATERIAL	SPECIFICATION
1 Body	Lead-free cast bronze	ASTM B584 - UNS C89836
2 Seats (2)	Buna-N (NBR) nitrilic rubber	Commercial grade
3 Operating head and stem	Lead-free cast bronze	ASTM B584 - UNS C89836
4 Stem O-rings (2)	Buna-N (NBR) nitrilic rubber	Commercial grade
5 Stem locknut	Lead-free cast bronze	ASTM B584 - UNS C89836
6 Ball	Teflon* coated lead-free cast bronze	ASTM B584 - UNS C89836
7 End adapter	Lead-free cast bronze	ASTM B584 - UNS C89836
8 Flare nut (2)	Cast bronze	ASTM B584 - UNS C83600

*Teflon is a registered trademark of DuPont.

DIMENSIONS

Size	A	B	C
3/4"	1.61	6.95	2.69
1"	1.61	7.28	2.79
1-1/4"	1.61	8.19	2.84
1-1/2"	2.03	9.75	3.45
2"	2.03	12.63	3.64



Pictured:
Model T-5200NL
Cut-away