

SUBMITTAL SHEET

JOB NAME _____ ITEM TAG _____

JOB LOCATION _____ PART NUMBER _____

CONTRACTOR _____ DATE _____

ENGINEER APPROVAL _____ DATE _____

LEAD-FREE ANGLE STOP VALVE

T/S-503NL

Lead-free design is suitable for all no-lead potable water installations, in full compliance of all lead-free plumbing laws.

Full-pattern body, packing and handwheel construction.

Uni-directional flow.

An electric-induction furnace casting process optimizes molten brass temperatures, resulting in superior cast body and bonnet components.

Equipped with a stem packing and packing nut design, which are superior to packless-bonnet stem seal designs.

Available in nominal 1/2" and 3/4" FNPT and CTS (Sweat) sizes.

Working Pressure, Non-Shock (PSI):

Saturated Steam: Not recommended

Cold Water, Oil, Gas: 125

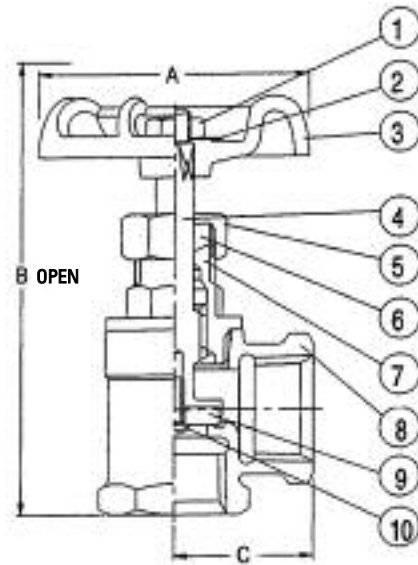
- Third-party tested and certified in compliance with U.S. Federal Public Law 111-380 (National lead-free plumbing law).
- Truesdail Labs Certified to ANSI / NSF Standard 61-G
- Manufactured in an ISO accredited facility
- End connections comply with
 - ANSI / ASME B1.20.1 (FNPT)
 - ASME B16.18 (CTS Solder)



Pictured
T-503NL



MATERIAL SPECIFICATION		
PART	MATERIAL	SPECIFICATIONS
1 Handle nut	Cadmium plated steel	AISI 1010
2 Identification disc	Aluminum	ASTM B209-1100
3 Handle	Cast iron	ASTM A48 Class 35
4 Stem	Lead-free cast brass	UNS Alloy C46400
5 Packing nut	Brass	UNS Alloy C36000
6 Stem packing	NBR (Buna-N) rubber	Commercial grade
7 Bonnet	Lead-free cast brass	UNS Alloy C46400
8 Body	Lead-free cast brass	UNS Alloy C46400
9 Seat (bibb washer)	NBR (Buna-N) rubber	Commercial grade
10 Seat retaining screw	Stainless steel	AISI 304



Pictured
T-503NL
Cut Away

DIMENSIONS			
Size	A	B	C
1/2" FIP x FIP	2.13	3.31	1.10
3/4" FIP x FIP	2.13	3.35	1.26
1/2" C x C	2.13	3.27	0.98
3/4" C x C	2.13	3.50	1.26