

SUBMITTAL SHEET

JOB NAME	ITEM TAG
JOB LOCATION	PART NUMBER
CONTRACTOR	DATE
ENGINEER APPROVAL	DATE

BLUE TOP GAS BALL VALVE

T-3100

Patented one-piece forged brass body eliminates the possibility of seam leaks common to two-piece body designs.*

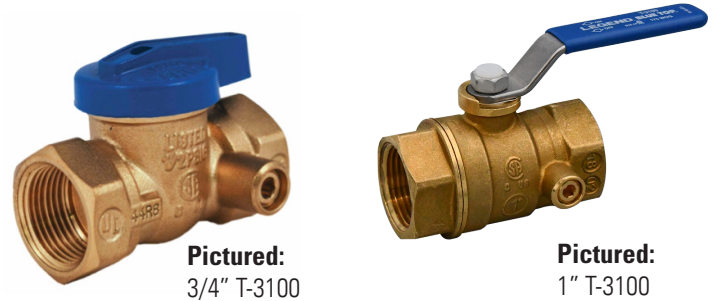
Equipped with an integral 1/8" NPT tapped manometer test port and plug, eliminating the need for a separate test port fitting and shutoff valve near the appliance pilot assembly.

Quarter-turn, ball-type, forged brass design is more compact and superior to traditional cast bronze or cast iron gas cocks.

The 175 psi pressure rating permits high-pressure air tests, without the grease-seal blowout common to plug-type gas cocks.

Working Pressure, Non Shock (PSI)

Cold working pressure (CWP): 175 psi
Saturated steam (WSP): Not suitable for steam service.



Pictured:
3/4" T-3100

Pictured:
1" T-3100

MATERIAL SPECIFICATION

PART	MATERIAL	SPECIFICATION
1 Body	Forged brass	ASTM B124 UNS C37700
2 Seats (2)	Nitrile (NBR) rubber	Type 7PB496 ASTM D2000
3 Ball	Forged brass, chrome plated	ASTM B124 UNS C37700
4 Thrust washer	Synthetic fiber	Commercial grade
5 Stem	Forged brass	ASTM B124 UNS C37700
6 Stem retainer bushing	Forged brass	ASTM B124 UNS C37700
7 Stem O-ring	Nitrile (NBR) rubber	Type 7PB496 ASTM D2000
8 Stem retainer clip	Phosphor-bronze wire	ASTM B159
9 Handle	Coated aluminum	Commercial grade, die-cast
10 Handle screw	Zinc plated steel	ANSI/ASME B18.2.1 IFI C18
11 Test port plug	Forged brass	ASTM B124 UNS C37700

DIMENSIONS - Inch

Size	A	B	C	D	E	BTU Capacity
1/2" FIP x FIP	2.43	1.84	0.40	2.02	1.57	290,000
3/4" FIP x FIP	2.68	2.13	0.60	2.09	1.79	726,800
1" FIP x FIP	3.13	2.72	0.84	3.71	2.08	1,192,000
3/8" Flare x Flare	2.98	1.77	0.28	2.02	1.44	102,800
1/2" Flare x Flare	2.91	1.77	0.40	2.02	1.46	109,600

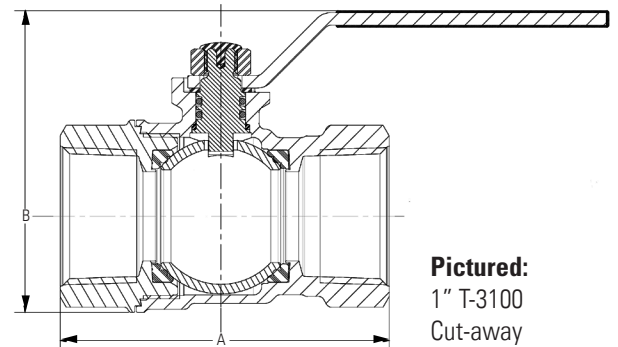
Certifications/Listings:

Third-party certified
ANSI Z21.15 / CSA 9.1: Gas appliance connector valve for 1/2 lb. systems.
ASME B16.44 / CGA CR91-002: For use in above ground gas piping systems up to 5 PSI.

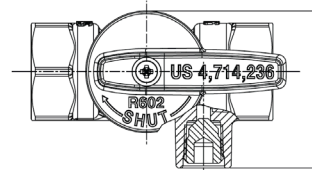
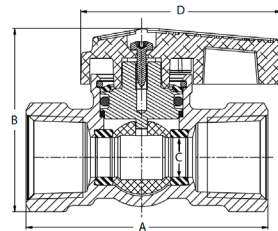
UL MHKZ: Manual shutoff valve, 600 psi max.
UL YQNZ: Compressed gas shutoff valve, 600 psi max.
UL YRBX: Flammable liquid shutoff valve. 400 psi max.
UL YRPV: Gas shutoff valve, 600 psi max.

Standards:

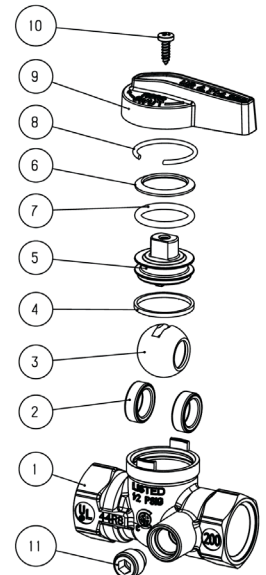
ANSI/ASME B1.20.1: Pipe threads, general purpose, Inch.



Pictured:
1" T-3100
Cut-away



Pictured:
T-3100 1/2" and 3/4" sizes
Cut-away and exploded views



*Note: 3/8" flare x flare and 1" threaded MNPT are a two-piece body design. A flared connection is not subject to the high assembly torque common to pipe-threaded connections, thereby greatly reducing the chance of body seam seal failure and subsequent leakage.