

SUBMITTAL SHEET

JOB NAME		ITEM TAG
JOB LOCATION		PART NUMBER
CONTRACTOR	DATE	
ENGINEER APPROVAL	DATE	

BLUE TOP GAS BALL VALVE

T-3000, T-3001 and T-3002

Patented one-piece forged brass body eliminates the possibility of seam leaks common to two-piece body designs*.

Ideal for all residential and commercial gas installations.

Chrome plated ball and soft seats resist contamination build-up and offer a positive seal in low- or moderate-pressure gas applications.

Quarter-turn, ball-type, forged brass design is more compact and superior to traditional cast bronze or cast iron gas cocks.

The 175 psi pressure rating permits high-pressure air tests, without the grease-seal blowout common to plug-type gas cocks.

Available in eight different configurations, to accommodate all gas connection types.

Working Pressure, Non Shock (PSI)

Cold working pressure (CWP): 175 psi

Saturated steam (WSP): Not suitable for steam service

MATERIAL SPECIFICATION

PART	MATERIAL	SPECIFICATION
1	Body	Forged brass ASTM B124 UNS C37700
2	Seats (2)	Nitrile (NBR) rubber Type 7PB496 ASTM D2000
3	Ball	Forged brass, chrome plated ASTM B124 UNS C37700
4	Thrust washer	Synthetic fiber Commercial grade
5	Stem	Forged brass ASTM B124 UNS C37700
6	Stem retainer brushing	Forged brass ASTM B124 UNS C37700
7	Stem O-ring	Nitrile (NBR) rubber Type 7PB496 ASTM D2000
8	Stem retainer clip	Phosphor-bronze wire ASTM B159
9	Handle	Coated aluminum Commercial grade, die-cast
10	Handle screw	Zinc plated steel ANSI/ASME B18.21 IFI C18

**Note: part number 102-312, 3/8" flare x flare is a two-piece body design. A flared connection is not subject to the high assembly torque common to pipe-threaded connections, thereby greatly reducing the chance of body seam seal failure and subsequent leakage.*

Certifications/Listing:

Third party certified.

ANSI Z21.15: Gas appliance connector valve for ½ lb. systems.

ASME B16.44: For use in above ground gas piping systems up to 5 psi.

UL 125: Flow control valves for anhydrous ammonia and LP-gas.

UL 842: Valves for flammable fluids.

UL 1477: Compressed gas shutoff valves.

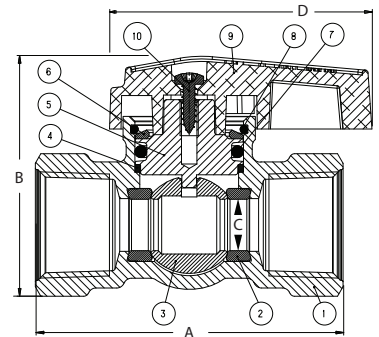
Massachusetts commonwealth approved (T-3001).

Standards:

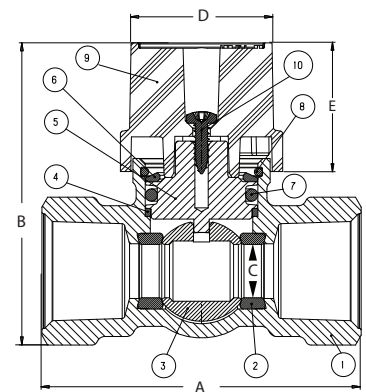
ANSI/ASME B1.20.1: Pipe threads, general purpose, inch.



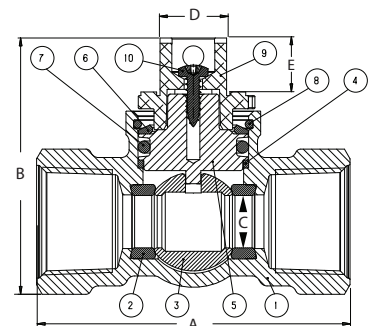
Pictured:
T-3000 (FNPTxFNPT)



Pictured:
T-3000
Cut-away



Pictured:
T-3001
Cut-away



Pictured:
T-3002
Cut-away

SUBMITTAL SHEET

JOB NAME	ITEM TAG
JOB LOCATION	PART NUMBER
CONTRACTOR	DATE
ENGINEER APPROVAL	DATE

BLUE TOP GAS BALL VALVE

T-3000, T-3001 and T-3002

DIMENSIONS					
Size	A	B	C	D	E
3/8" FIP x FIP	2.02	1.75	0.40	2.02	
1/2" FIP x FIP	2.36	1.83	0.40	2.02	
3/4" FIP x FIP	2.60	2.14	0.60	2.09	
3/8" flare x 1/2" FIP	2.35	1.83	0.40	2.02	
1/2" flare x 1/2" FIP	2.46	1.82	0.40	2.02	
1/2" flare x 3/4" FIP	2.52	1.97	0.40	2.02	
5/8" (15/16"-16) flare x 1/2" FIP	2.52	1.78	0.40	2.02	
5/8" (7/8"-14) flare x 3/4" FIP	2.86	2.16	0.60	2.09	
5/8" (15/16"-16) flare x 3/4" FIP	2.82	2.14	0.60	2.09	
3/8" flare x 1/2" MIP	2.41	1.78	0.28	2.02	
1/2" flare x 1/2" MIP	2.53	1.78	0.40	2.02	
3/8" flare x flare	2.71	1.81	0.28	2.02	
1/2" flare x flare	2.62	1.79	0.40	2.02	
5/8" flare x flare	3.14	2.04	0.50	2.09	
1/2" FIP x 1/8" Texas pattern	2.93	1.85	0.40	2.02	
3/4" FIP x 1/8" Texas pattern	2.98	2.02	0.40	2.02	
3/8" (9/16"-24) flare x 1/2" FIP	2.23	1.82	0.40	2.02	
3/8" T-3001	2.02	2.16	0.40	1.03	0.95
1/2" T-3001	2.36	2.21	0.40	1.20	0.95
3/4" T-3001	2.58	2.55	0.60	1.03	0.95
1" T-3001	3.06	2.72	0.84	2.88	0.68
1-1/4" T-3001	3.43	3.09	1.00	2.88	0.68
1-1/2" T-3001	3.68	4.02	1.50	4.03	0.83
2" T-3001	4.32	5.14	1.97	4.95	0.97
1/2" T-3002	2.36	1.93	0.40	0.50	0.43
3/4" T-3002	2.59	2.22	0.60	0.50	0.43



Pictured:
T-3000 (Texas Pattern)



Pictured:
T-3001



Pictured:
T-3002