

SUBMITTAL SHEET

JOB NAME	ITEM TAG
JOB LOCATION	PART NUMBER
CONTRACTOR	DATE
ENGINEER APPROVAL	DATE

GAS BALL VALVE

Model T-3000 FL x FL

175 W.O.G. NON-SHOCK

ANSI standard Z21.15

For use as a gas appliance connector valve (1/2 lb. System)

AGA 3-88 for use in house piping systems (2lb. System)

Working Pressure, Non Shock (PSI)

Cold working pressure (CWP):

Saturated steam (WSP):

MATERIAL SPECIFICATION

PART	MATERIAL
1 Handle	Aluminum
2 Stem	Forged brass
3 Fixing ring	Phosphor bronze
4 O-ring	Nitrile rubber
5 Seal	Fiber
6 Seats	Nitrile rubber
7 Ball	Chrome plated brass
8 Body	Forged brass
9 Washer	Brass
10 Handle screw	Steel

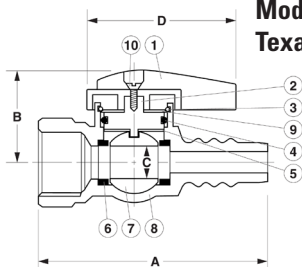
DIMENSIONS

Size	A	B	C	D
3/8"x 1/2"	2.42	1.30	.394	1.41
1/2"x 1/2"	2.53	1.30	.394	1.41

DIMENSIONS

Size	A	B	C	D
3/8"x 1/2"	2.35	1.30	.394	1.41
1/2"x 1/2"	2.46	1.30	.394	1.41
5/8"x 1/2"	2.81	1.46	.591	2.01
1/2"x 3/4"	2.53	1.46	.591	2.01

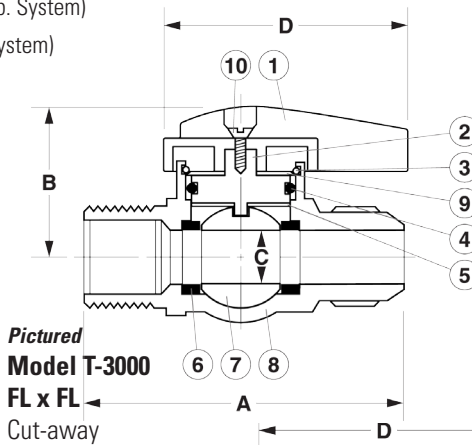
Pictured Model T-3000 Texas Pattern



DIMENSIONS

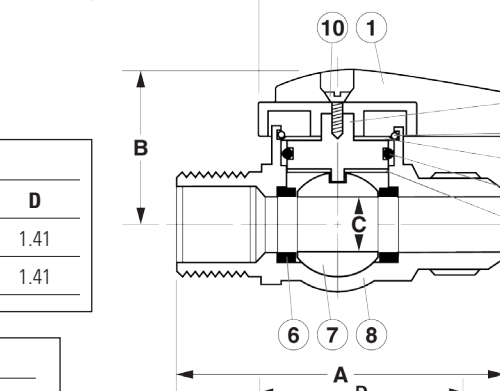
Size	A	B	C	D
1/2"x 1/8"	2.96	1.34	.394	1.41
3/4"x 1/8"	3.09	1.34	.394	2.01

Pictured Model T-3000 FL x FL

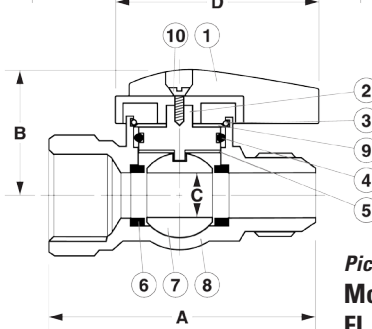


DIMENSIONS

Size	A	B	C	D
3/8"x 3/8"	2.69	1.30	.394	1.41
1/2"x 1/2"	2.62	1.30	.394	1.41
5/8"x 5/8"	3.03	1.46	.591	2.01



Pictured Model T-3000 FL x M.I.P.



Pictured Model T-3000 FL x F.I.P.



SUBMITTAL SHEET

JOB NAME	ITEM TAG
JOB LOCATION	PART NUMBER
CONTRACTOR	DATE
ENGINEER APPROVAL	DATE
