

SUBMITTAL SHEET

| | |
|-------------------|-------------|
| JOB NAME | ITEM TAG |
| JOB LOCATION | PART NUMBER |
| CONTRACTOR | DATE |
| ENGINEER APPROVAL | DATE |

BRONZE FLOAT VALVE

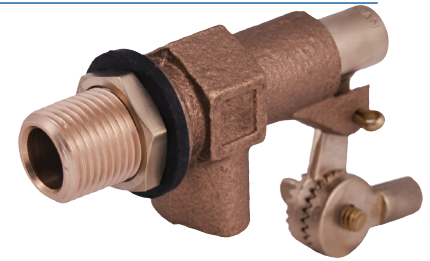
Model T-30 / T-31 / T-32

125 W.O.G

Working Pressure, Non Shock (PSI)

Cold working pressure (CWP):

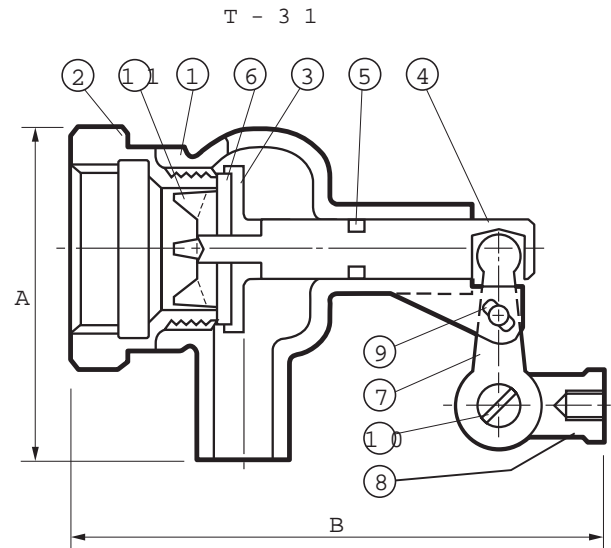
Saturated steam (WSP):



Pictured
Model T-30 / T-31 / T-32

MATERIAL SPECIFICATION

| PART | MATERIAL | SPECIFICATION |
|-----------------------|-----------------|---------------|
| 1 Body | Bronze | |
| 2 Adapter | Bronze | |
| 3 Disc holder | Bronze | |
| 4 Piston | Brass | |
| 5 Packing | Leather | |
| 6 Seat seal | NBR | |
| 7 Lever | Bronze | |
| 8 Float rod receiver | Bronze | |
| 9 Cotter pin | Stainless steel | |
| 10 Adjusting screw | Brass | |
| 11 Seat retaining nut | Bronze | |



DIMENSIONS T-31

| Size | A | B |
|--------|------|------|
| 1" | 5.13 | 2.56 |
| 1-1/4" | 6.14 | 3.63 |
| 1-1/2" | 6.14 | 3.63 |
| 2" | 6.25 | 3.69 |

DIMENSIONS T-30

| Size | A | B |
|------|------|------|
| 3/8" | 3.35 | 2.64 |
| 1/2" | 3.78 | 2.84 |
| 3/4" | 4.18 | 2.84 |

DIMENSIONS T-32

| Size | A | B |
|------|------|------|
| 1/2" | 3.78 | 2.84 |
| 3/4" | 4.18 | 2.84 |

Pictured
Model T-30 / T-31 / T-32
Cut-away

