

## SUBMITTAL SHEET

JOB NAME	ITEM TAG
JOB LOCATION	PART NUMBER
CONTRACTOR	DATE
ENGINEER APPROVAL	DATE

# FULL PORT ROTATING FLANGE ISOLATION BALL VALVE

## T/S 2012RFLG

Ideal for circulator pump isolation, permitting pump removal without complete system drain-down.

Standard diamond-shaped pump flange connection rotates, to allow infinite valve positioning

Integrated drain valve with tethered cap permits purging, balancing and flushing operations

Positive-seal, blowout-proof stem features dual Teflon\* packing and EPDM rubber O-ring seals

Durable forged brass construction

Full-port design does not affect pump flow volumes

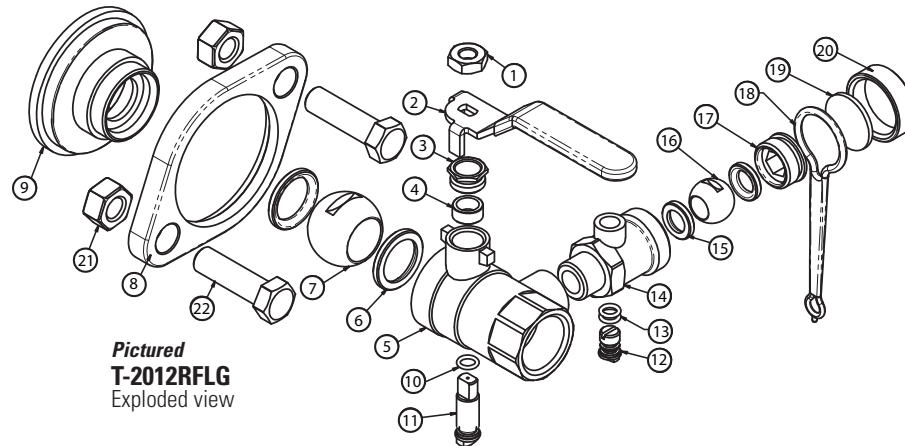
Flange mounting hardware included

- Threaded end connections comply with ANSI / ASME B1.20.1
- Sweat end connections comply with ANSI / ASME B16.18
- Manufactured in an ISO accredited facility

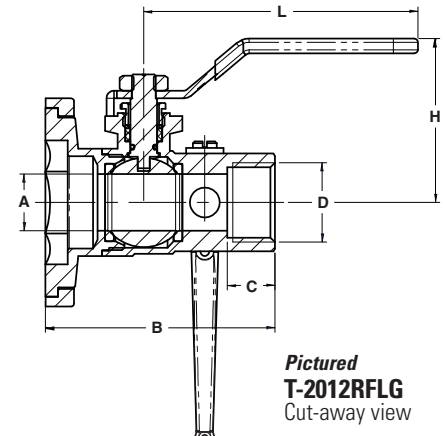
### Working Pressure, Non-Shock (PSI)

Cold Water, Oil, Gas: 600 CWP

Saturated Steam: Not recommended for steam service



**Pictured T-2012RFLG**  
Exploded view



**Pictured T-2012RFLG**  
Cut-away view

### MATERIAL SPECIFICATION

PART	MATERIAL	SPECIFICATION
1 Handle nut	Zinc plated steel	ASTM A283 Grade C
2 Lever handle	Zinc plated steel	ASTM A283 Grade C
3 Packing nut	Forged brass	ASTM B455 UNS C38500
4 Stem packing	PTFE	Commercial grade Teflon*
5 Body	Forged brass	ASTM B455 UNS C38500
6 Seats (2)	PTFE	Commercial grade Teflon*
7 Ball	Chrome plated forged brass	ASTM B455 UNS C38500
8 Flange	Forged brass	ASTM B455 UNS C38500
9 End adapter	Forged brass	ASTM B455 UNS C38500
10 Stem O-ring	EPDM	Commercial grade
11 Stem	Forged brass	ASTM B455 UNS C38500

PART	MATERIAL	SPECIFICATION
12 Drain valve stem	Forged brass	ASTM B455 UNS C38500
13 Drain valve stem O-rings (2)	EPDM	Commercial grade
14 Drain valve body	Forged brass	ASTM B455 UNS C38500
15 Drain valve seats (2)	PTFE	Commercial grade Teflon*
16 Drain valve ball	Chrome plated forged brass	ASTM B455 UNS C38500
17 Drain valve end adapter	Forged brass	ASTM B455 UNS C38500
18 Drain valve cap tether	Flexible vinyl resin	Commercial grade
19 Drain valve cap gasket	NBR (Buna-N) rubber	Commercial grade
20 Drain valve cap	Forged brass	ASTM B455 UNS C38500
21 Flange nuts (2)	Zinc plated steel	ASTM A307 Grade C
22 Flange bolts (2)	Zinc plated steel	ASTM A307 Grade C

\*Teflon is a registered trademark of the DuPont Company

### DIMENSIONS

Size	A	B (IPS)	B (Sw)	C (IPS)	C (Sw)	D (IPS)	D (Sw)	L	H
3/4"	0.75	3.03	3.13	0.63	0.75	3/4" NPT	0.88	3.62	2.11
1"	0.97	3.39	3.50	0.79	0.91	1" NPT	1.13	4.33	2.46
1-1/4"	1.18	3.66	3.86	0.79	0.98	1-1/4" NPT	1.38	5.12	3.05