

## SUBMITTAL SHEET

JOB NAME	ITEM TAG
JOB LOCATION	PART NUMBER
CONTRACTOR	DATE
ENGINEER APPROVAL	DATE



### NO LEAD DZR BRASS FNPT X PE PIPE FULL PORT BALL VALVE

#### T-2010NL

Lead-free design is suitable for all no-lead potable water installations, in full compliance of the National lead-free plumbing law.

Ideal for transitioning from threaded pipe to polyethylene pipe, in water well systems. Perfect for tank tee and pressure tank isolation.

Full-length barbed insert provides ample clamping surface for the PE pipe.

Bottom-loaded, blowout-proof stem features a dual-seal PTFE packing and EPDM rubber O-ring design, assuring positive sealing under temperature and pressure extremes.

High strength dezincification-resistant (DZR) forged brass construction resists corrosion.

Available in nominal sizes 3/4", 1" and 1-1/4" FNPT x SDR 7 and 11 polyethylene pipe barb insert connections.

#### Working Pressure, Non Shock (PSI)

Cold Working Pressure (CWP): 600 psi  
Saturated Steam (WSP): Not suitable for steam applications

DIMENSIONS					
Nominal Size	A	B	C	D	n
3/4"	3.39	1.84	1.25	3.82	5
1"	4.19	2.26	1.65	4.41	7
1-1/4"	4.49	2.64	1.50	5.12	6

MATERIAL SPECIFICATION		
PART	MATERIAL	SPECIFICATION
1 Handle nut	Zinc plated steel	ASME SA6, SA283 Grade C
2 Lever handle	Zinc plated steel	ASME SA6, SA283 Grade C
3 Packing nut	Forged brass	ASTM B455 UNS C38500
4 Stem packing	PTFE fluoropolymer	FR101 resin
5 Stem O-ring	EPDM rubber	Commercial grade
6 Stem	Lead-free forged brass (3/4" and 1")	UNS Alloy C46500
	Forged brass (1-1/4")	UNS Alloy C36000
7 Body	Lead-free forged brass	UNS Alloy C46500
8 Ball	Lead-free forged brass (3/4" and 1")	UNS Alloy C46500
	Stainless steel (1-1/4")	AISI Grade 304
9 Seats (2)	PTFE fluoropolymer	FR101 resin
10 End adapter	Lead-free forged brass	UNS Alloy C46500

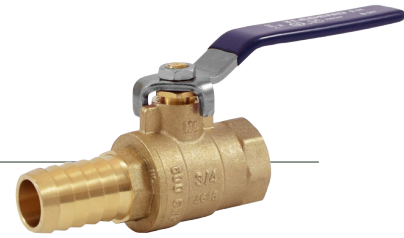
#### Certifications/Listings:

Third-party tested and certified in compliance with U.S. Federal Public Law 111-380 (National lead-free plumbing law).

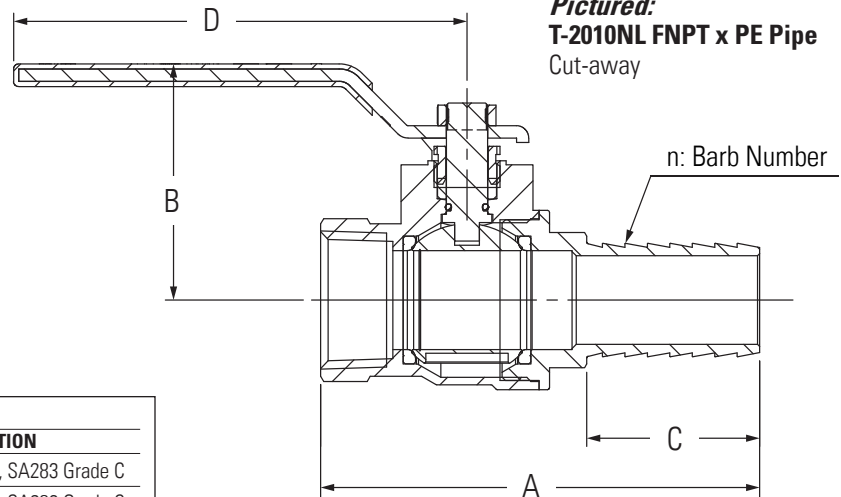
UPC / IAPMO certified to ANSI/NSF Standard 61. Meets NSF 372 lead content requirements.

FNPT threaded end connections comply with ANSI/ASME B1.20.1.

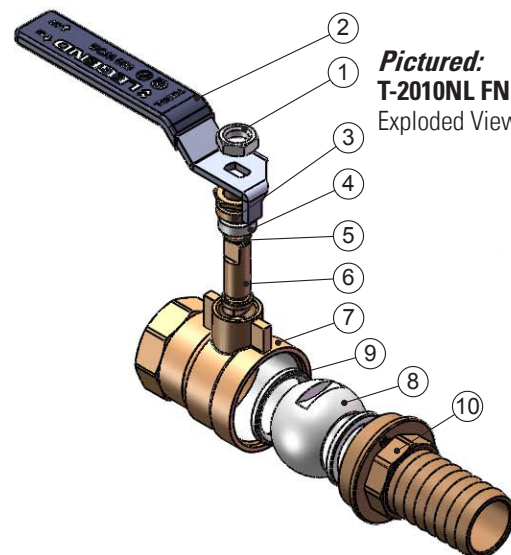
Manufactured in an ISO accredited facility.



**Pictured:**  
T-2010NL



**Pictured:**  
T-2010NL FNPT x PE Pipe  
Cut-away



**Pictured:**  
T-2010NL FNPT x PE Pipe  
Exploded View