

## SUBMITTAL SHEET

JOB NAME	ITEM TAG
JOB LOCATION	PART NUMBER
CONTRACTOR	DATE
ENGINEER APPROVAL	DATE



# LEAD-FREE FULL PORT PEX BALL VALVE

## T-2007NL

Dezincification-resistant (DZR) forged brass resists corrosion from exposure to a wide variety of water conditions.

Durable, compact, forged brass body is ideal for confined installations.

Different end connections permit transition from copper tubing to PEX tubing.

Maintenance-free dual O-ring, blowout-proof stem design.

Self-cleaning chrome-plated ball resists mineral build-up.

The capped waste port (some models) permits component isolation and drain-down, for servicing or replacement operations.

The waste port (some models) is located at the PEX end, versus solder cup end, reducing the chance of being clogged with excess solder.

Available in nominal sizes 1/2" to 1".

### Working Pressure, Non Shock (PSI)

Cold working pressure (CWP): 400 CWP  
Saturated Steam: Not suitable for steam service

### MATERIAL SPECIFICATION

PART	MATERIAL	SPECIFICATION
1 Handle nut	Zinc plated carbon steel	Commercial Grade
2 Handle	Zinc plated carbon steel	Commercial Grade
3 Anti-friction washer	Virgin PTFE	Commercial Grade
4 Stem O-rings (2)	EPDM Rubber	Commercial grade
5 Stem	Lead-free DZR forged brass	UNS Alloy C46500
6 Seats (2)	PTFE	Commercial Grade
7 Ball	Lead-free DZR forged brass	UNS Alloy C46500
8 End adapter	Lead-free DZR forged brass	UNS Alloy C46500
9 Waste cap gasket	EPDM Rubber	Commercial grade
10 Waste cap	Forged brass	UNS Alloy C37700
11 Body	Lead-free DZR forged brass	UNS Alloy C46500

### DIMENSIONS

Size		A		B	C	D
		with drain	no drain			
1/2"	Sweat x PEX	2.21	2.10	1.49	2.95	0.93
3/4"	Sweat x PEX	2.57	2.47	1.57	3.17	0.93
1"	Sweat x PEX	3.23	3.00	1.97	4.17	1.46
1/2"	PEX x PEX	2.74	-	1.69	2.05	0.93
3/4"	PEX x PEX	2.80	-	1.73	2.05	0.93
1"	PEX x PEX	3.39	-	1.77	2.05	1.46

### Certifications / Listings:

Third-party certified

NSF/ANSI 14: Plastic piping system components and related materials.

NSF/ANSI 61: Drinking water system components - Health effects.

NSF/ANSI 372: Drinking water system components - Lead content.

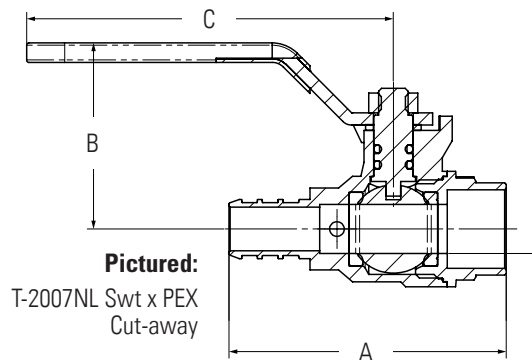
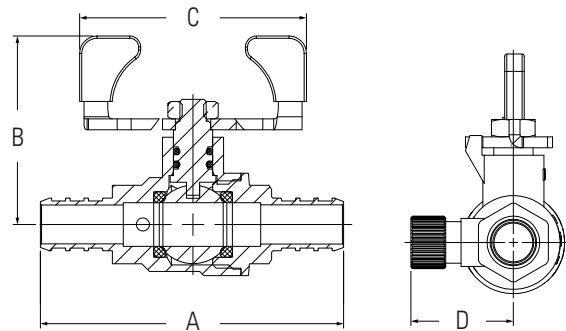
ASTM F1807: Metal insert fittings utilizing a copper crimp ring or stainless steel clamps.

### Standards:

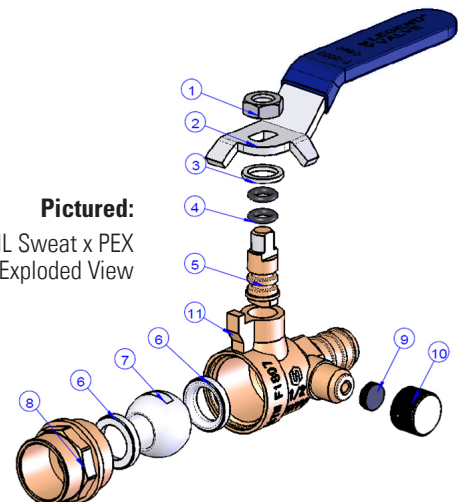
ANSI/ASME B16.18: Cast pressure alloy solder-joint pressure fitting.



**Pictured:**  
T-2007NL PEX x PEX  
Cut-away



**Pictured:**  
T-2007NL Swt x PEX  
Cut-away



**Pictured:**  
T-2007NL Sweat x PEX  
Exploded View