

**SUBMITTAL SHEET**

JOB NAME	ITEM TAG
JOB LOCATION	PART NUMBER
CONTRACTOR	DATE
ENGINEER APPROVAL	DATE

**NO LEAD DZR FORGED BRASS PEX BALL VALVE**

**T-1960NL**

Dezincification-resistant (DZR) forged brass resists corrosion from exposure to a wide variety of water conditions.

Bottom-loaded, blowout-proof stem features a dual-seal PTFE packing and EPDM rubber O-ring design, assuring positive sealing under a multitude of conditions.

Self-cleaning stainless steel ball resists mineral build-up and scaling.

Barbed end connections are designed for use with PEX (ASTM F876 & 877) and PE-RT (ASTM F2769).

Designed for use with expansion rings that are manufactured in compliance with ASTM F1960.

Available in 1/2" through 3" sizes.

Drainable model available in 1/2", 3/4" and 1" sizes.

**Working Pressure, Non Shock (PSI)**

Cold working pressure (CWVP): 400 psi (valve body)\*

Saturated steam (WSP): Not suitable for steam applications

**\*Caution!** Exceeds the pressure rating of PEX tubing

MATERIAL SPECIFICATION		
PART		MATERIAL
1	Body	DZR lead-free forged brass
2	Seats (2)	PTFE
3	Ball	Stainless steel
4	O-ring	NBR rubber
5	Packing	PTFE
6	Stem	Forged brass or stainless steel
7	Handle nut	Zinc plated steel
8	Lock washer	Zinc plated steel
9	Handle	Zinc plated steel
10	Packing nut	Forged brass
11	End adapter	DZR lead-free forged brass
12	Drain Cap	Forged brass
13	Gasket	EPDM

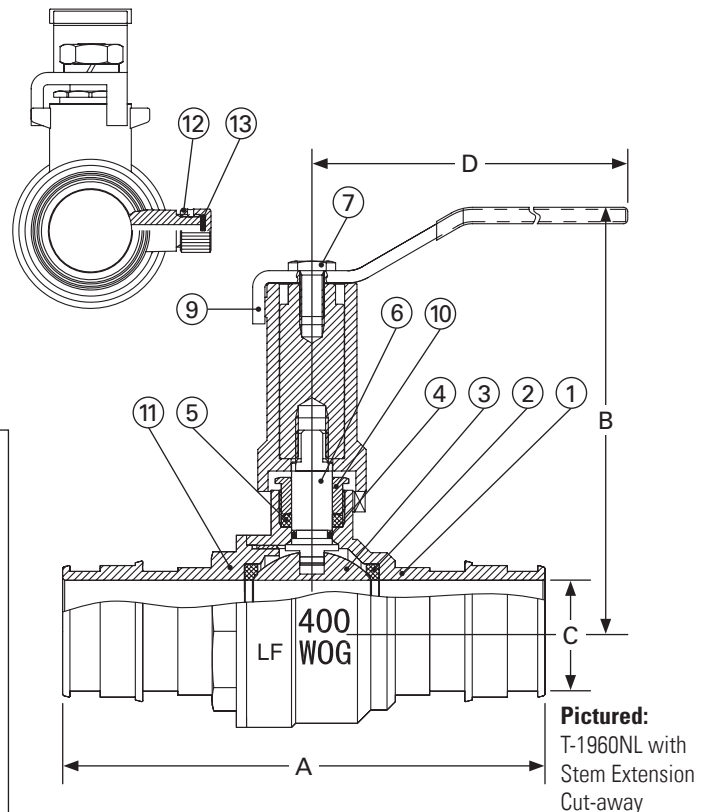
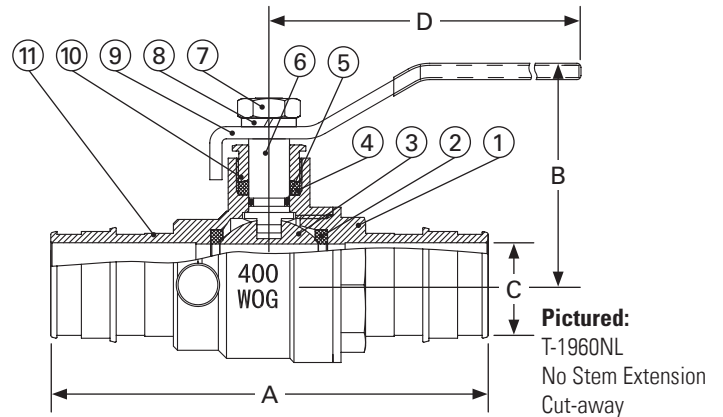
DIMENSIONS - NO STEM EXTENSION						
Size	A	A (Drainable)	B	B (w/ Stem Extension)	C	D
1/2"	2.58	2.89	1.69	3.50	0.39	3.46
3/4"	3.31	3.48	1.81	3.62	0.61	3.46
1"	3.98	4.23	2.09	3.93	0.81	4.29
1-1/4"	4.65	-	2.25	4.09	0.98	4.29
1-1/2"	5.52	-	2.45	4.30	1.10	5.63
2"	6.91	-	2.74	4.60	1.58	5.63
2-1/2"	8.80	-	3.04	-	2.01	5.63
3"	10.75	-	4.25	-	2.44	7.76



**Pictured:**  
T-1960NL



**Pictured:**  
T-1960NL  
Stem Extension



**Certifications/Listings:**

Third-party certified.

NSF/ANSI 14: Plastic piping system components and related materials.

NSF/ANSI 61: Drinking water system components - Health effects.

NSF/ANSI 372: Drinking water system components - Lead content

**Specifications:**

ASTM F1960: Cold expansion fittings with PEX reinforced rings.

OPTIONAL STEM EXTENSIONS	
SIZE	PRODUCT NUMBER
1/2" to 3/4"	101-907
1" to 1-1/4"	101-908
1-1/2" to 2"	101-909