

SUBMITTAL SHEET

JOB NAME	ITEM TAG
JOB LOCATION	PART NUMBER
CONTRACTOR	DATE
ENGINEER APPROVAL	DATE

FULL PORT BALL VALVE WITH DRAIN

T/S-1100

Durable forged brass body
 Bottom-loaded blowout-proof stem
 Dual O-ring stem seal
 3M Dyneon* TFM PTFE seats
 Allows line to be drained for maintenance or to prevent freeze-up.
 A more durable alternative to conventional stop and waste valves.

- Threaded ends comply with ANSI/ASME B1.20.1
- Sweat ends comply with ANSI/ASME B16.18
- Manufactured in an ISO 9002 accredited facility



Working Pressure, Non-Shock (PSI)

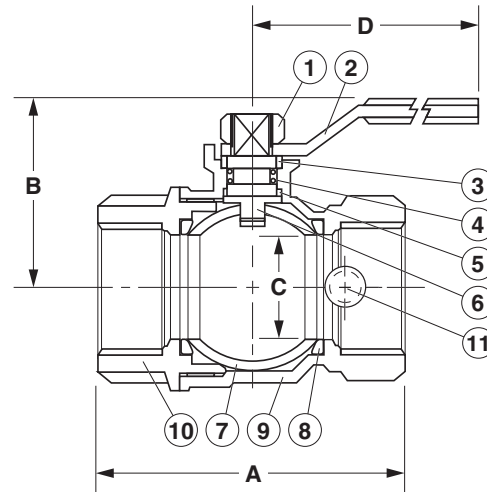
Cold working pressure (CWP): 500

Saturated steam (WSP): Not suitable for steam service

MATERIAL SPECIFICATION			
PART	MATERIAL	SPECIFICATIONS	
1	Handle nut	Dacromet coated steel	ASTM A510 UNS G10060
2	Handle	Dacromet coated steel	ASTM A510 UNS G10060
3	Anti-friction washer	TFM PTFE	3M Dyneon*
4	O-rings	Fluorocarbon	DuPont Viton**
5	Thrust washer	TFM PTFE	3M Dyneon*
6	Stem	Chrome plated forged brass	ASTM B124/124M UNS C37700
7	Ball	Chrome plated forged brass	ASTM B124/124M UNS C37700
8	Seats (2)	TFM PTFE	3M Dyneon*
9	Body	Forged brass	ASTM B124/124M UNS C37700
10	End adapter	Forged brass	ASTM B124/124M UNS C37700
11	Waste cap	Forged brass	ASTM B124/124M UNS C37700

*Dyneon TFM is a registered trademark of 3M company

**Viton is a registered trademark of DuPont



**Pictured
T-1100
Cut-away**

DIMENSIONS							
Size	A (IPS)	A (CXC)	B	C	D	CV*	
1/2"	2.08	2.29	1.42	0.59	3.07	14.20	
3/4"	2.35	3.15	1.87	0.79	3.78	28.60	
1"	2.91	3.84	2.02	1.00	3.78	56.40	

* The CV Factor is the gallons of water per minute passed through the valve with a 1 PSI pressure drop