

SUBMITTAL SHEET

JOB NAME	ITEM TAG
JOB LOCATION	PART NUMBER
CONTRACTOR	DATE
ENGINEER APPROVAL	DATE



LEAD-FREE FULL PORT CUBIC BALL™ BALL VALVE

T/S-1004NL

Lead-free design is suitable for all no-lead potable water installations, in full compliance of all lead-free plumbing laws

Cubic Ball™ ball design reduces ball-to-seat contact area, reducing operational torque by 20% and increasing seat life by 50%

Durable, oversized forged brass body has larger wrench flats, for ease of installation

Bottom-loaded blowout-proof stem is a maintenance-free design with a dual O-ring seal

Improved 3M Dyneon* TFM PTFE seats are more durable than traditional Teflon* seats

Larger Dacromet-coated steel handles assure smooth operation and provide exceptional corrosion resistance over uncoated handles

Available in nominal sizes 1/2" to 2" FNPT and Sweat

Working Pressure Non-Shock (PSI)

Cold Working Pressure (CWP): 600 p.s.i.
Saturated Steam (WSP): 150 p.s.i.

• Third-party tested and certified in compliance with U.S. Federal Public Law 111-380 (National lead-free plumbing law)

• NSF certified to ANSI/NSF Standard 61 Annex G. Meets NSF 372 lead content requirements

• NSF certified to ANSI/NSF Standard 61 Annex G. Meets NSF 372 lead content requirements

• Conforms to MSS SP-110

• CSA Certified for use with natural, manufactured, mixed, liquefied petroleum and LP gas/air mixtures:

◦ ANSI standard Z21.15 for use as a gas appliance connector valve for 1/2-lb. systems

◦ CSA Certified 3-88 for use in 2 or 5 lb. house piping systems

◦ ANSI/ASME B16.33 for use in gas piping systems up to 125 p.s.i.g. (1/2" to 1")

• Factory Mutual approved for fire protection service

• End connections comply with ANSI/ASME B1.20.1 (FNPT) and ANSI/ASME B16.18 (CTS)

• Manufactured in an ISO accredited facility

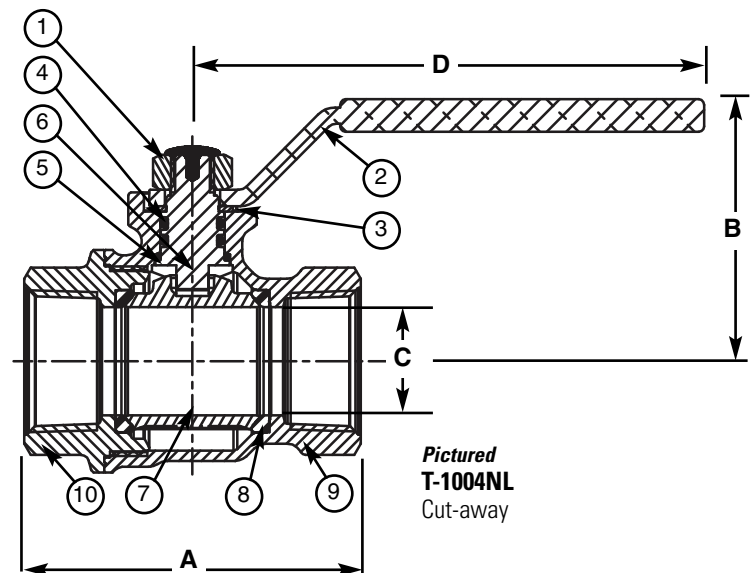
MATERIAL SPECIFICATION		
PART	MATERIAL	SPECIFICATIONS
1 Handle nut	Dacromet coated steel with resin lock	ASTM A510 UNS G10060
2 Handle	Dacromet coated steel	ASTM A510 UNS G10060
3 Anti-friction washer	TFM PTFE	3M Dyneon*
4 Stem O-rings (2)	Fluoroelastomer	DuPont Viton**
5 Thrust washer	TFM PTFE	3M Dyneon*
6 Stem	Lead-free chrome plated forged brass	CW510L UNS C28500
7 Cubic ball	Lead-free chrome plated forged brass	CW510L UNS C28500
8 Seats (2)	TFM PTFE	3M Dyneon*
9 Body	Lead-free forged brass	CW510L UNS C28500
10 End adapter	Lead-free forged brass	CW510L UNS C28500

*Dyneon TFM is a registered trademark of the 3M Company

**Viton is a registered trademark of the DuPont Company

DIMENSIONS						
Size	A (IPS)	A (CXC)	B	C	D	CV*
1/2"	2.21	2.28	1.42	0.59	3.03	22.40
3/4"	2.44	3.15	1.89	0.79	3.70	39.20
1"	2.99	3.86	2.05	0.98	3.70	61.60
1-1/4"	3.39	4.33	2.21	1.26	3.70	143.30
1-1/2"	3.82	5.00	2.77	1.56	5.43	224.00
2"	4.37	6.00	3.15	1.97	5.43	312.00

* The CV Factor is the gallons of water per minute passed through the valve with a 1 PSI pressure drop



Pictured
T-1004NL
Cut-away