

## SUBMITTAL SHEET

JOB NAME	ITEM TAG
JOB LOCATION	PART NUMBER
CONTRACTOR	DATE
ENGINEER APPROVAL	DATE

### FULL PORT BALL VALVE WITH CAPPED MALE GARDEN HOSE THREAD CONNECTION

#### T-1002CC

Capped GHT end prevents ball and seat contamination  
Cap is gasketed and tethered  
Ideal for washdown stations, greenhouse applications  
or hydronic heating installations

- Manufactured in an ISO accredited facility
- Female pipe thread connection complies with ANSI / ASME B1.20.1
- Garden hose thread connection and cap threads comply with ASME B1.20.7

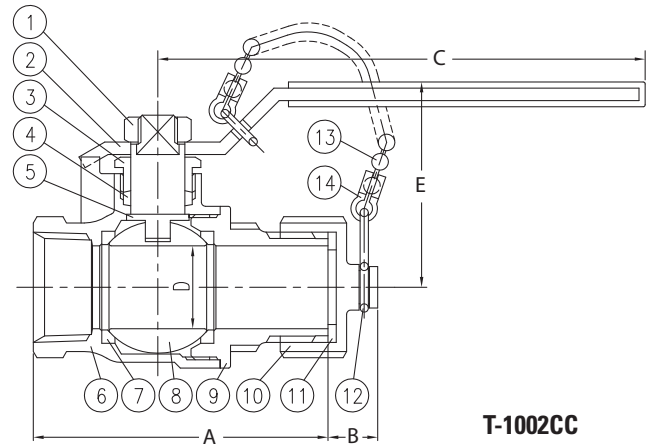


#### Working Pressure, Non-Shock (PSI)

Saturated Steam: Not recommended for steam applications  
Cold Water, Oil, Gas: 600 CWP\*\*

\*\* Valve body rated at 600 psi CWP. The capped GHT connection is rated at 125 psi

MATERIAL SPECIFICATION		
PART	MATERIAL	SPECIFICATIONS
1 Handle nut	Steel	AISI 1010
2 Handle	Steel	ASTM A283 Class D
3 Packing nut	Brass	ASTM B16 UNS C36000
4 Stem packing	PTFE	Dupont Teflon
5 Stem	Brass	ASTM B16 UNS C36000
6 Body	Forged brass	ASTM B124 UNS C37700
7 Seats (2)	PTFE	Dupont Teflon
8 Ball	Chrome plated forged brass	ASTM B16 UNS C36000
9 End adapter	Forged brass	ASTM B124 UNS C37700
10 Cap	Forged brass	ASTM B124 UNS C37700
11 Cap gasket	NBR (Buna-N) rubber	Commercial grade
12 Chain connector ring (2)	Steel wire	ASTM A227
13 Chain tether	Steel	ASTM A283 Class D
14 Chain link plate (2)	Steel	ASTM A283 Class D



T-1002CC

DIMENSIONS					
Size	A	B	C	D	E
3/4"	2.80	0.47	4.65	0.79	1.97