

**SUBMITTAL SHEET**

JOB NAME	ITEM TAG
JOB LOCATION	PART NUMBER
CONTRACTOR	DATE
ENGINEER APPROVAL	DATE

**PVC COMPRESSION SWING CHECK VALVE**  
**S-614**

**Full-pattern bodies and compression nuts are constructed of corrosion-proof, virgin PVC resin**

Compression-type end connections are designed to fit onto Schedule 40 or 80 PVC pipe or steel pipe

Cracking pressure: 1/2-pound positive pressure

Full-flow waterways are ideal for wastewater, grey water or sewage installations

1-1/4" – 1-1/2" S-614 includes two sets of compression gaskets permitting installation onto either 1-1/4" or 1-1/2" pipe

Can be installed in either vertical (upward flow only) or horizontal (flapper hanging) positions

Weighted flapper assures quick, positive closure in low- or high-backflow conditions

Not suitable for compressed air or steam service

Available sizes: 1-1/4" to 2"

**Working Pressure, Non-Shock (PSI)**

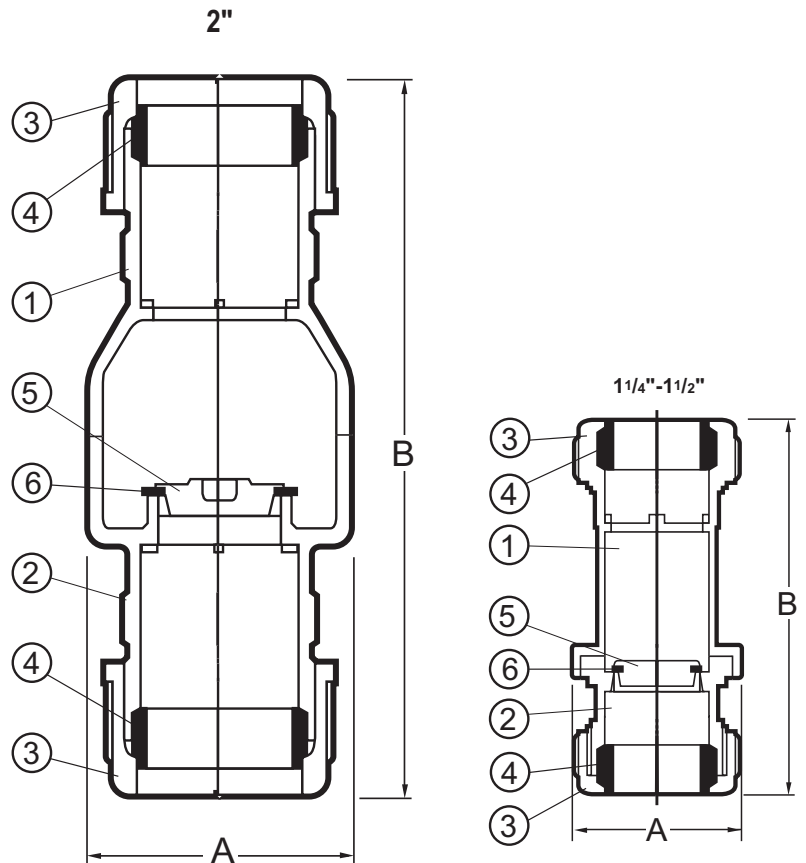
Cold working pressure (CWP): 150 @ 73° F  
(150 @ 73° F) static pressure containment

Maximum backflow pressure:  
11.5 ft. of head (5 p.s.i.)

Saturated steam (WSP): Not suitable for steam service

**Maximum service temperature: 140° F**

- PVC resin conforms to ASTM Specification D1784-08
- Manufactured in an ISO accredited facility



**Pictured S-614**  
Cut-aways

MATERIAL SPECIFICATION		
PART	MATERIAL	SPECIFICATION
1 Upper body segment	PVC resin	ASTM D1784-08
2 Lower body segment	PVC resin	ASTM D1784-08
3 Compression nuts (2)	PVC resin	ASTM D1784-08
4 Compression gaskets (2)	EPDM	Commercial grade
5 Flapper weight	PVC resin	ASTM D1784-08
6 Flapper	EPDM	Commercial grade

DIMENSIONS		
Size	A	B
1-1/4" / 1-1/2"	2.96	5.50
2"	4.20	9.62