

SUBMITTAL SHEET

JOB NAME	ITEM TAG
JOB LOCATION	PART NUMBER
CONTRACTOR	DATE
ENGINEER APPROVAL	DATE

LEAD-FREE STOP VALVE

T/S-501NL and S-501PNL

Lead-free design is suitable for all no-lead potable water installations, in full compliance of all lead-free plumbing laws.

An electric-induction furnace casting process optimizes molten brass temperatures, resulting in superior cast body and bonnet components.

Equipped with a stem packing and packing nut design, which are superior to packless-bonnet stem seal designs.

Full-pattern body, stem and handwheel construction is more durable than competitors' reduced-material examples.

Available in nominal sizes 1/2" and 3/4" CTS (sweat), FNPT or PEX end connections.

Working Pressure, Non Shock (PSI)

Cold working pressure (CWP): 125 p.s.i.
Saturated steam (WSP): Not suitable for steam service

- Third-party tested and certified in compliance with U.S. Federal Public Law 111-380 (National lead-free plumbing law).
- Truesdail Labs Certified ANSI / NSF Standard 61-G
- CSA certified for Canadian plumbing applications
- End connections comply with the following specifications:
 - ANSI / ASME B1.20.1 (FNPT)
 - ANSI / ASME B16.18 (CTS solder)
 - ASTM F1807 (PEX barb inlet)
- Manufactured in an ISO accredited facility

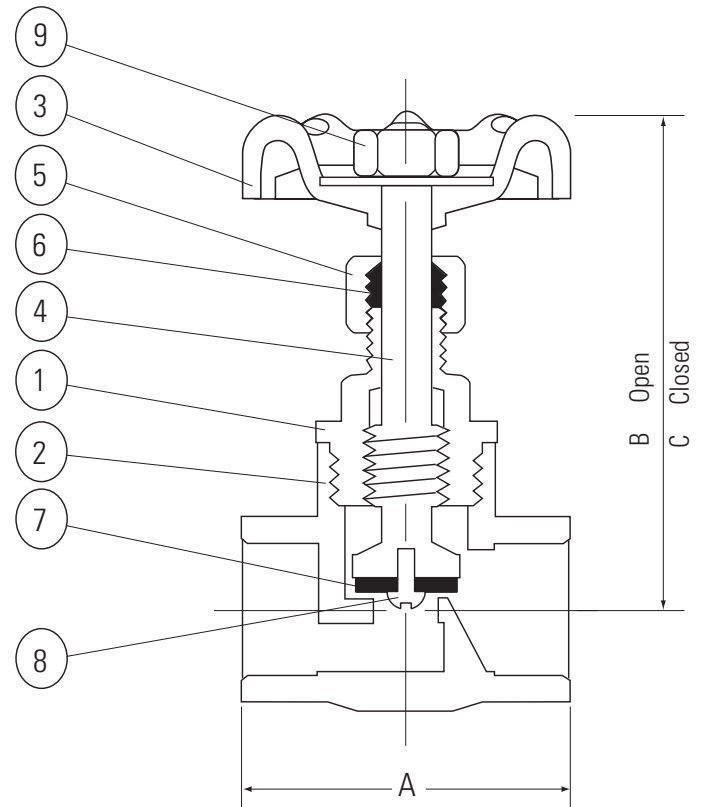


Pictured Model S-501NL



MATERIAL SPECIFICATION		
PART	MATERIAL	SPECIFICATION
1 Bonnet	Lead-free cast brass	UNS Alloy C46400
2 Body	Lead-free cast brass	UNS Alloy C46400
3 Handle	Cast iron	ASTM A48 Class 35
4 Stem	Lead-free cast brass	UNS Alloy C46400
5 Packing nut	Brass	ASTM B16 C36000
6 Packing	NBR rubber	Commercial grade
7 Seat washer	NBR rubber	Commercial grade
8 Seat screw	Stainless steel	AISI grade 304
9 Handle nut	Cadmium plated steel	AISI 1010
PEX adapter (2) not shown	Lead-free forged brass	UNS Alloy C46400

DIMENSIONS			
Size	A	B	C
1/2" FNPT & CTS	2.16	2.63	2.41
3/4" FNPT & CTS	2.59	2.53	2.38
1/2" PEX	3.75	2.63	2.41
3/4" PEX	4.25	2.53	2.38



Pictured Model S-501NL
Cut-away