

SUBMITTAL SHEET

JOB NAME	ITEM TAG
JOB LOCATION	PART NUMBER
CONTRACTOR	DATE
ENGINEER APPROVAL	DATE



NO LEAD FORGED BRASS FULL PORT BALL VALVE
T/S-2001NL

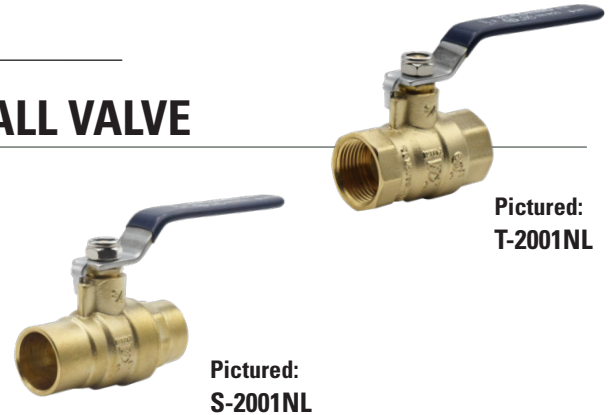
Dezincification-resistant (DZR) forged brass resists corrosion from exposure to a wide variety of water conditions.

Bottom-loaded, blowout-proof stem features a dual-seal PTFE packing and EPDM rubber O-ring design, assuring positive sealing under temperature and pressure extremes.

304 stainless steel T-handles available (for sizes 1/2"-1" sold separately). Available in nominal sizes 1/2" to 2" in FNPT and sweat connections.

Working Pressure, Non-Shock (PSI)

Cold working pressure (CWP): 600 psi
Saturated Steam: Not suitable for steam service

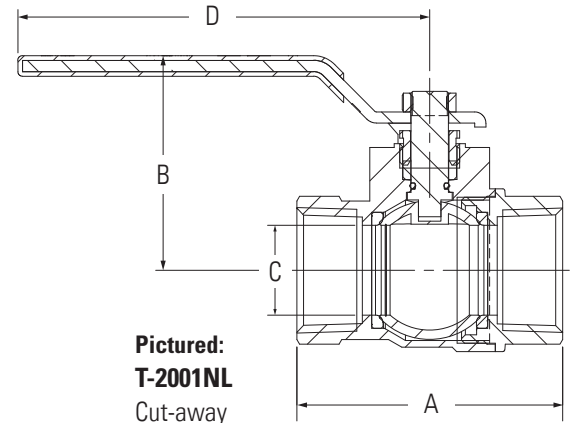


Pictured: T-2001NL

Pictured: S-2001NL

MATERIAL SPECIFICATION

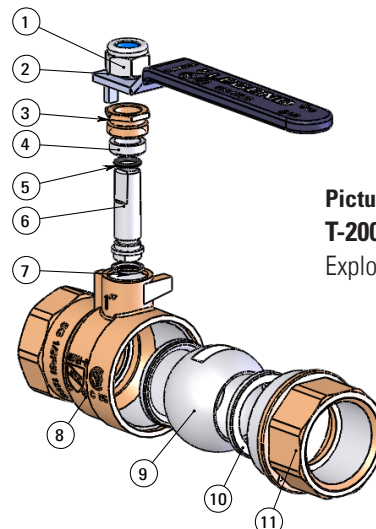
PART	MATERIAL	SPECIFICATION
1	Handle nut	Zinc plated steel ASME SA6, SA283 Grade C
2	Lever handle	Zinc plated steel ASME SA6, SA283 Grade C
3	Packing nut	Forged brass UNS Alloy C38500
4	Stem packing	PTFE Commercial grade
5	Stem O-ring	EPDM rubber Commercial grade
6	Stem	Lead-free forged brass: 1/2" - 1" Forged brass: 1-1/4" - 2" UNS Alloy C46500 UNS Alloy C36000
7	Washer	PTFE Commercial grade
8	Body	Lead-free forged brass UNS Alloy C46500
9	Ball	Lead-free chrome plated forged brass: 1/2" - 1" Stainless steel: 1-1/4" - 2" UNS Alloy C46500 AISI Grade 304
10	Seats	PTFE Commercial grade
11	End adapter	Lead-free forged brass UNS Alloy C46500



Pictured: T-2001NL
Cut-away

DIMENSIONS

Size	A (FNPT)	A (Sweat)	B	C	D
1/2"	2.05	1.97	1.54	0.51	3.07
3/4"	2.30	2.70	1.78	0.71	4.13
1"	2.80	3.24	1.96	0.95	4.13
1-1/4"	3.15	3.62	2.49	1.20	4.92
1-1/2"	3.50	4.29	2.67	1.46	4.92
2"	4.19	5.35	3.21	1.95	7.08



Pictured: T-2001NL
Exploded View

Certifications:

Third-party certified.
ANSI/NSF 61: Drinking water system components health effects.
ANSI/NSF 372: Drinking water system components lead content.
ANSI Z21.15: Gas appliance connector valve for 1/2 lb. systems.
ASME B16.44: For use in above ground gas piping systems up to 5 psi.
ANSI/ASME B16.33: For use in gas piping systems up to 175 psig.

Standards:

ANSI/ASME B1.20.1: Pipe threads, general purpose, Inch.
ANSI/ASME B16.18: Cast pressure alloy solder-joint pressure fitting.