

SUBMITTAL SHEET

JOB NAME	ITEM TAG
JOB LOCATION	PART NUMBER
CONTRACTOR	DATE
ENGINEER APPROVAL	DATE

FULL PORT BALL VALVE

T/S-2000

Durable forged brass body.

Bottom-loaded, blowout-proof, gland-follower stem design.

Positive-seal stem features dual-seal PTFE packing and EPDM rubber O-ring.

Available in female pipe threaded sizes 1/4" - 4" and female sweat tubing sizes 1/2" - 4".

Working Pressure, Non Shock (PSI)

Cold working pressure (CWP): 1/4" - 2": 600 psi
 2-1/2" - 4": 400 psi

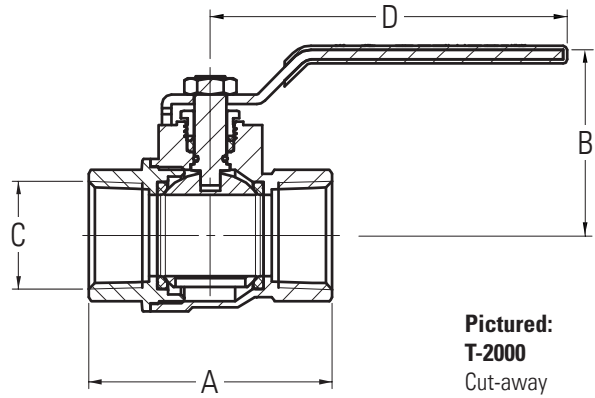
Saturated steam (WSP): 150 psi

Maximum service temperature: 365°F



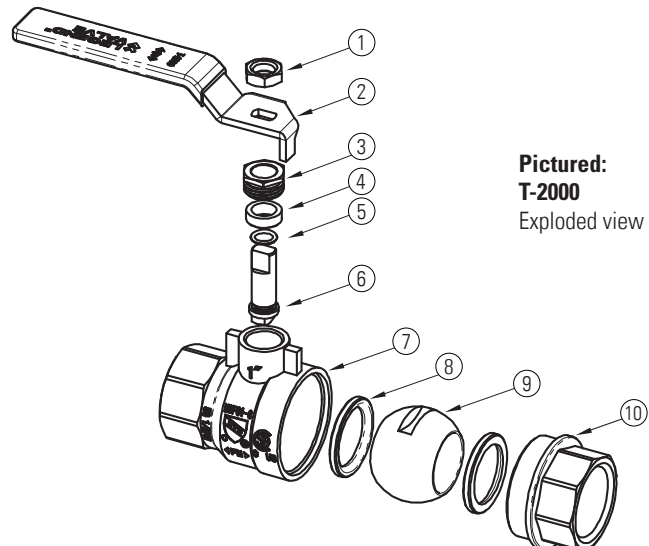
**Pictured:
T-2000**

MATERIAL SPECIFICATION		
PART		MATERIAL
1	Handle nut	Zinc plated steel
2	Lever handle	Zinc plated steel
3	Packing nut	Forged brass
4	Stem packing	PTFE
5	Stem O-ring	EPDM rubber
6	Stem	Forged brass
7	Body	Forged brass
8	Seats (2)	PTFE
9	Ball	Chrome plated forged brass
10	End adapter	Forged brass



**Pictured:
T-2000
Cut-away**

DIMENSIONS - Inch					
Size	A (IPS)	A (CxC)	B	C	D
1/4"	1.73	-	1.42	0.39	3.19
3/8"	1.73	-	1.42	0.39	3.19
1/2"	2.17	2.05	1.66	0.57	3.74
3/4"	2.46	2.76	1.90	0.75	3.74
1"	2.95	3.33	2.30	0.98	4.33
1-1/4"	3.39	3.86	2.70	1.26	5.12
1-1/2"	3.78	4.45	2.91	1.54	5.12
2"	4.33	5.47	3.48	1.95	6.34
2-1/2"	5.55	6.46	4.65	2.50	9.45
3"	6.38	7.52	5.02	3.03	9.45
4"	7.54	9.49	5.93	3.94	9.45



**Pictured:
T-2000
Exploded view**

Certifications/Listings:

Third-party certified

ANSI Z21.15 / CSA 9.1: Gas appliance connector valve for ½ lb. systems. (1/4" - 2" NPT)

ASME B16.44 / CGA CR91-002: For use in above ground gas piping systems up to 5 PSI. (1/4" - 4" NPT)

ASME B16.33 / B16.38: For use in gas piping systems up to 175 psig. (1/4" - 2" NPT)

CSA 3.16: For use in gas piping systems up to 175 psig. (1/4" - 2" NPT)

UL 3LZW: For use with LP, natural and manufactured gases; flammable liquids, #6 oil at 250° F

UL MHKZ: Manual shutoff valve, 600 psi max. (1/2" - 2" NPT)

UL YQNZ: Compressed gas shutoff valve, 600 psi max. (1/2" - 2" NPT)

UL YRBX: Flammable liquid shutoff valve. 400 psi max. (1/2" - 2" NPT)

UL YRPV: Gas shutoff valve, 600 psi max. (1/2" - 2" NPT)

UL YSDT: LP gas shutoff valve, 600 psi max. (1/2" - 2" NPT)

Factory Mutual: Approved for fire protection service. (1/2" - 2" NPT)

Standards:

MSS SP-110: Ball Valves Threaded, Socket-Welding, Solder Joint, Grooved and Flared Ends.

ANSI/ASME B1.20.1: Pipe threads, general purpose, Inch.

ANSI/ASME B16.18: Cast Pressure alloy solder-joint pressure fittings.