

## SUBMITTAL SHEET

JOB NAME	ITEM TAG
JOB LOCATION	PART NUMBER
CONTRACTOR	DATE
ENGINEER APPROVAL	DATE

# FULL PORT BALL VALVE

## T/S-1002, T-1002ST, T-1002LD and T-1002STLD

T/S-1002 series valves made from a durable forged brass body with bottom-loaded, PTFE isolated, blowout-proof stem PTFE seats and stem packing.

Features an adjustable gland follower stem design.

**T/S-1002:** 304 stainless steel handle and handle nut available (sold separately). Available in nominal sizes: 1/4" to 3" FNPT and 3/8 to 3" Sweat.

**T-1002ST:** 304 stainless steel ball and stem are stronger than forged brass; An ideal feature for heavy-use, frequent-operation applications 304 stainless steel handle and handle nut available (sold separately).

Available in nominal sizes: 1/2" to 2" FNPT.

**T-1002LD:** Latch-lock handle with 0.30" diameter hole, accepts padlocks with standard 9/32" diameter shackles or lockout tongs (not included). Lockable in the full-open or full-closed positions.

Available in nominal sizes: 1/4" to 2" FNPT.

**T-1002STLD:** Includes all of the features listed above.

Available in nominal sizes: 1/4" to 2" FNPT.

### Working Pressure, Non-Shock (PSI)

Cold working pressure (CWP): 600 p.s.i.

Saturated steam (WSP): 150 p.s.i.

MATERIAL SPECIFICATION			
PART	MATERIAL	SPECIFICATION	
1	Handle nut	Steel	AISI 1010
2	Handle	Steel	ASTM A283 Class D
3	Packing nut	Forged brass	ASTM B16 UNS C36000
4	Stem packing	PTFE	Commercial Grade
5	Stem	Forged brass 316 Stainless steel*	ASTM B16 UNS C36000 AISI 316
6	Body	Forged brass	ASTM B124 UNS C37700
7	Seats (2)	PTFE	Commercial Grade
8	Ball	Chrome plate forged brass 316 Stainless steel*	ASTM B124 UNS C37700 AISI 316
9	End adapter	Forged brass	ASTM B124 UNS C37700
10	Latch Lock**	Steel	ASTM A283 Class D
11	Lockplate**	Steel	ASTM A283 Class D

\*These components are present on the T-1002ST and T-1002STLD models only.

\*\*These components are present on the T-1002LD and T-1002STLD

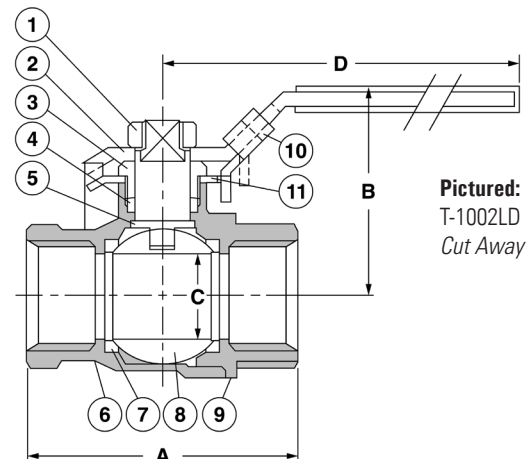
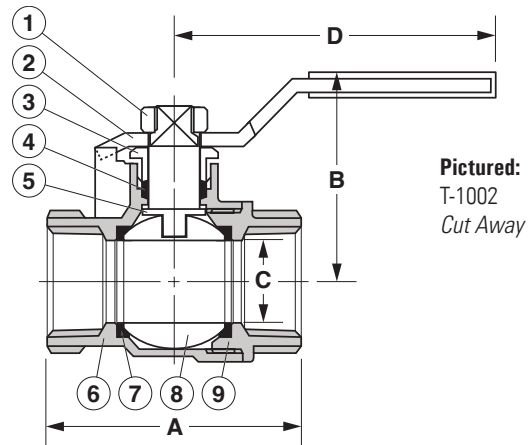
DIMENSIONS						
Size	A (IPS)	A (Cx C)	B	C	D	CV*
1/4"	1.81		1.46	0.39	3.31	6.50
3/8"	1.81	1.62	1.46	0.39	3.31	6.50
1/2"	2.17	1.93	1.54	0.50	3.31	10.00
3/4"	2.52	2.76	1.97	0.79	4.65	26.00
1"	2.99	3.31	2.13	0.98	4.65	48.00
1-1/4"	3.43	3.78	2.60	1.26	5.28	70.00
1-1/2"	3.66	4.30	2.76	1.50	5.28	105.00
2"	4.33	5.32	3.46	1.97	7.88	200.00
2-1/2"	5.16	6.22	3.86	2.50	7.87	380.00
3"	5.91	7.17	4.17	3.00	7.87	520.00

\*The CV Factor is the gallons of water per minute passed through the valve with a 1 psi pressure drop.

**Pictured:**  
T-1002



**Pictured:**  
T-1002LD



**Certifications/Listings:**

Third-party certified.

ANSI Z21.15: Gas appliance connector valve for 1/2 lb. systems (1/2" to 2" NPT).

ANSI/ASME B16.33: For use in gas piping systems up to 175 psig (1/2" to 2" NPT).

ASME B16.44: For use in above ground gas piping systems up to 5 psi (1/2" to 2" NPT).

UL 2J73: For use with LP natural and manufactured gases; flammable liquids No. 6 oil at 250°F (1/2" to 2" NPT).

Factory Mutual: Approved for fire protection service (1/2" to 2" FNPT)

**Standards:**

MSS SP-110

ANSI/ASME B1.20.1: Pipe threads: general purpose, Inch

ANSI/ASME B16.18: Cast copper alloy solder-joint pressure fitting