

SUBMITTAL SHEET

JOB NAME		ITEM TAG
JOB LOCATION		PART NUMBER
CONTRACTOR	DATE	
ENGINEER APPROVAL	DATE	

LEAD-FREE PRESSURE FITTINGS

PEX x PEX x FNPT Brass Drop-Ear Tee

Lead-free design is suitable for all no-lead potable water installations, in full compliance of all lead-free plumbing laws.

Drop-ear holes accept most screw fastener types, permitting easy attachment to cross-brackets.

Integral drop-ears and large flat-back, provide enhanced stability between the PEX and the threaded branch leg.

Stand off height provides ample room for the crimp tool to be used after the fitting has been mounted.

Available in 1/2" PEX x 1/2" FNPT size only.

Working Pressure, Non Shock (PSI)

Cold working pressure (CWP): 125 p.s.i.

Saturated Steam (WSP): Not suitable for steam service

- Third-party tested and certified in compliance with U.S. Federal Public Law 111-380 (National lead-free plumbing law).

- End connections comply with:
ANSI / ASME B1.20.1 (FNPT)
ASTM F1807 (PEX barb)

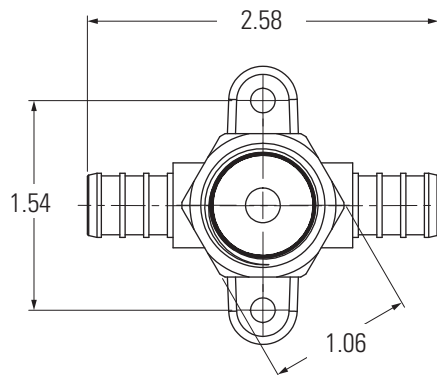
- Manufactured in an ISO accredited facility.



Pictured:
PEX x FNPT Drop-ear tee

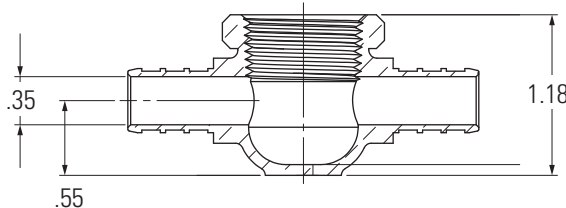
MATERIAL SPECIFICATION

PART	MATERIAL	SPECIFICATION
1 Fitting Body	Lead-free forged brass	UNS Alloy C46400



Pictured:
PEX x FNPT Drop-ear tee
Overhead view

Pictured:
PEX x FNPT Drop-ear tee
Cut-away



Pictured:
PEX x FNPT Drop-ear tee
End view

