

SUBMITTAL SHEET

JOB NAME	ITEM TAG
JOB LOCATION	PART NUMBER
CONTRACTOR	DATE
ENGINEER APPROVAL	DATE



NO LEAD FORGED STEEL DIELECTRIC UNION (1/2" TO 2")

P-571NL (1/2" - 2") PATENT PENDING

Made to reduce galvanic corrosion where two dissimilar metals are joined. Self-aligning, non-conductive elastomer gasket and thermoplastic insert create a positive seal and complete isolation between the tubing and piping ends.

With high-strength, galvanized forged steel construct, the P-571NL is intended for both residential and commercial applications.

Manufactured for installation onto ASTM B88 types K, L, and M hard-drawn copper tubing. Coiled (annealed) soft copper tubing is not recommended for use with this product.

Working Pressure, Non Shock (PSI)

Cold working pressure (CWP): 200 psi up to 180° F
250° F at 15 psi WSP

**When equipped with the optional Steam Gasket (not included, available separately).*

MATERIAL SPECIFICATION

PART	MATERIAL	SPECIFICATION
1 Press socket O-ring	EPDM rubber	Commercial grade
2 Press adapter	Lead-free brass	UNS Alloy C46500
3 Adapter O-ring	EPDM rubber	Commercial grade
4 Union nut	Forged carbon steel, galvanized	AISI Alloy 1008A
5 Insert insulator	Nyloy	MG-0133N
6 Adapter baseplate	Lead-free brass	UNS Alloy C46500
7 Gasket	EPDM rubber	Commercial grade
8 FNPT and MNPT adapter	Forged carbon steel, galvanized	AISI Alloy 1008A

DIMENSIONS

Nominal Size	A	B*
1/2" FNPT x Press	2.65	1.63
3/4" FNPT x Press	2.80	1.86
3/4" FNPT x 1/2" Press	2.70	1.86
1" FNPT x Press	3.04	2.26
1-1/4" FNPT x Press	3.24	2.75
1-1/2" FNPT x Press	3.50	3.51
2" FNPT x Press	4.00	4.00
1/2" MNPT x Press	3.58	1.63
3/4" MNPT x Press	3.75	1.88

**This dimension is measured from corner to corner.*

P-571NL LEGENDPRESS® TUBING INSERTION DEPTHS

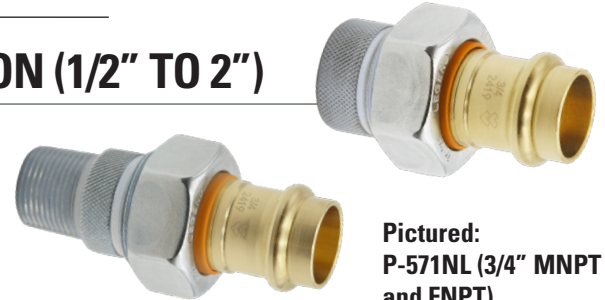
Nominal tubing size	1/2"	3/4"	1"	1-1/4"	1-1/2"	2"
Insertion depth: In	1.10"	1.18"	1.18"	1.18"	1.38"	1.57"
mm.	28	30	30	30	35	40

Certifications/Listings:

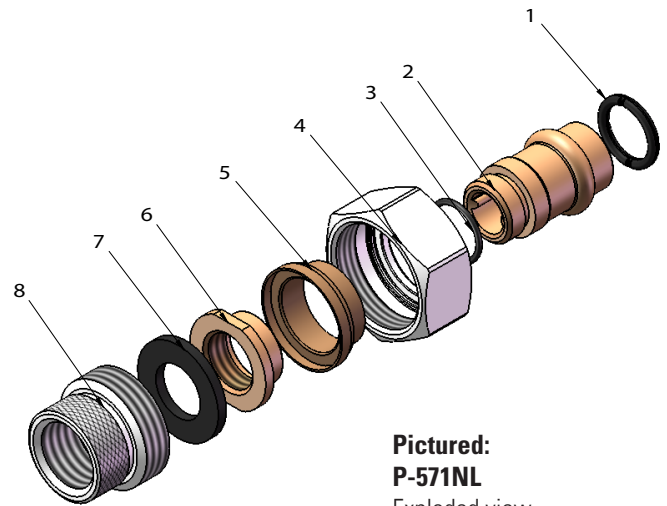
Third-party certified.
NSF/ANSI 372: Drinking water system components - Lead content.

Standards:

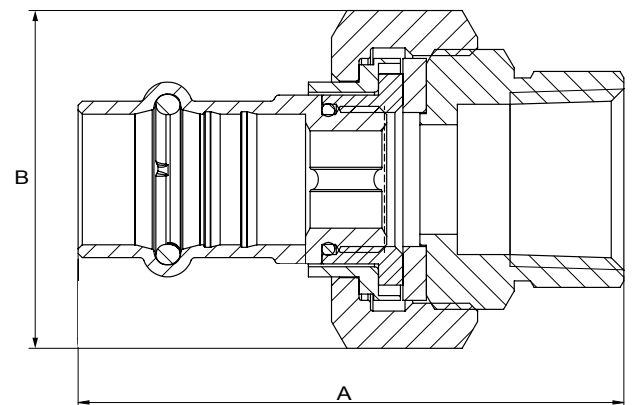
ANSI/ASME B1.20.1: Pipe threads, general purpose, Inch
ANSI/ASME B16.51: Copper and copper alloy press-connect pressure fittings



Pictured:
P-571NL (3/4" MNPT and FNPT)



Pictured:
P-571NL
Exploded view



Pictured:
P-571NL
Cut-away