

SUBMITTAL SHEET

JOB NAME	ITEM TAG
JOB LOCATION	PART NUMBER
CONTRACTOR	DATE
ENGINEER APPROVAL	DATE



LEAD-FREE BRASS PRESS-CONNECT Y-STRAINER

P-16NL

Press-type end connections eliminate the need for soldering, reducing labor and material costs and eliminating the fire hazard associated with the process.

Press-to-connect connections are designed for installation onto ASTM B88 types K, L and M hard-drawn copper tubing. Coiled (annealed) soft copper tubing is not recommended.

Designed to protect downstream components, by trapping and holding debris under pressure.

The screen cap must be positioned downward when installing the P-16NL in the horizontal position. In the vertical position, the media must flow downward.

Equipped with a 304 stainless steel 20-mesh screen.

Leak-Before-Press O-rings, which when un-pressed, create leak paths during the pressure test, to quickly identify an un-pressed joint.

Fittings in nominal sizes 1/2" to 2".

Compatible with commercially-available VUS profile jaws.

Working Pressure, Non Shock (PSI)

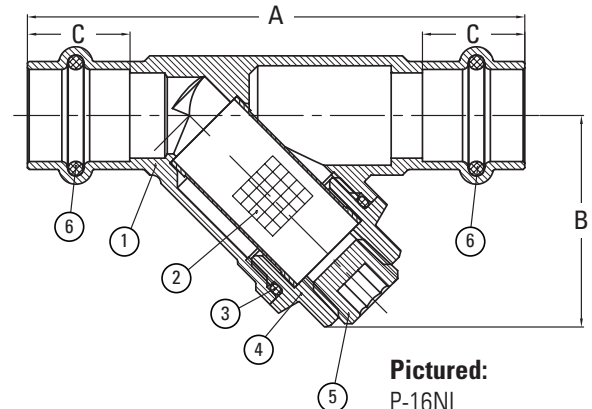
Cold working pressure (CWP):	200 psi
Saturated steam (WSP):	15 psi
Maximum service temperature:	0-250°F

Screen and Strainer Type

304 SS 20-Mesh Screen: 1/2" to 2"



Pictured:
P-16NL



Pictured:
P-16NL
Cut-away

MATERIAL SPECIFICATION			
PART	MATERIAL	SPECIFICATION	
1	Body	Lead-free forged brass	UNS Alloy C46500
2	Screen	Stainless steel	AISI 304
3	Cap O-ring	EPDM	Commercial grade
4	End cap	Lead-free forged brass	UNS Alloy C46500
5	Plug	Lead-free forged brass	UNS Alloy C46500
6	Press O-ring (2)	EPDM	Commercial grade

DIMENSIONS			
Size	A	B	C (Insertion)
1/2"	3.50	1.46	11/16"
3/4"	4.02	1.81	7/8"
1"	4.52	2.15	7/8"
1-1/4"	5.02	2.64	1"
1-1/2"	5.85	2.88	1-7/16"
2"	7.25	3.38	1-3/4"

Certifications/Listings:

Third-party certified.
 NSF/ANSI 372: Drinking water system components - Lead content

Standards:

ANSI/ASME B16.51: Standard specification for copper and copper alloy press-connect pressure fittings.