

SUBMITTAL SHEET

| | |
|-------------------|-------------|
| JOB NAME | ITEM TAG |
| JOB LOCATION | PART NUMBER |
| CONTRACTOR | DATE |
| ENGINEER APPROVAL | DATE |

LZV 2-WAY & 3-WAY ZONE VALVES

LZV-3

Motorized zone valves for chilled or hot water applications, up to 50% glycol. Stainless steel shaft with EPDM ball and seals.

Long life synchronous motor with spring return.

Easy to remove actuator; no tools needed.

Manually actuate the valve with the override lever.

24 VAC, 6.5 watt Power (Orange wires).

250 V, 3 amp max end switch (Black wires).

Available in 1/2" -1-1/4" nominal copper sweat sizes.



Pictured:
LZV-3

Working Pressure, Non Shock (PSI)

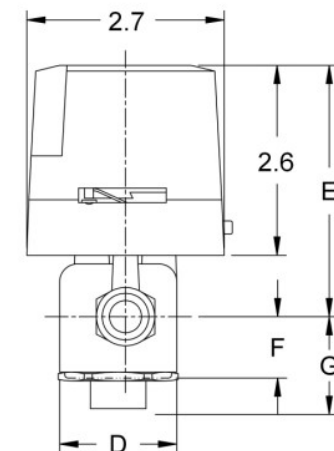
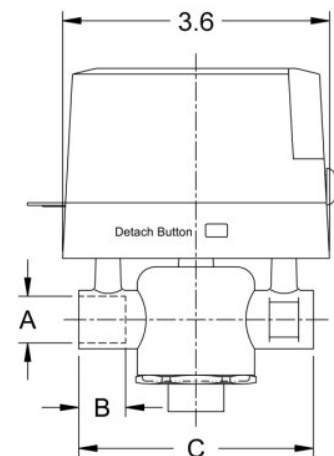
Cold working pressure (CWP): 300 psi
Maximum service temperature: 200°F
Not suitable for steam service.

MATERIAL SPECIFICATION

| PART | MATERIAL |
|---------------|------------------------|
| 1 Body | Forged brass |
| 2 Seal | EPDM |
| 3 Motor cover | Fire rated ABS plastic |

DIMENSIONS - Inch

| | Size | A | B | C | D | E | F | G | Cv | Close-Off |
|---------------|--------|--------|------|------|------|------|------|------|------|-----------|
| 2- Way | 1/2" | 5/8" | 0.63 | 3.10 | 1.58 | 3.50 | 0.83 | - | 3.8 | 44 psi |
| | 3/4" | 7/8" | 0.75 | 3.10 | 1.58 | 3.50 | 0.83 | - | 5.4 | 22 psi |
| | 1" | 1-1/8" | 0.78 | 3.10 | 1.58 | 3.50 | 0.94 | - | 8 | 11.6 psi |
| | 1-1/4" | 1-3/8" | 0.79 | 3.10 | 1.58 | 3.50 | 0.94 | - | 11.7 | 11.6 psi |
| 3- Way | 1/2" | 5/8" | 0.63 | 3.10 | 1.58 | 3.50 | - | 1.26 | 3.8 | 29 psi |
| | 3/4" | 7/8" | 0.75 | 3.10 | 1.58 | 3.50 | - | 1.26 | 5.4 | 22 psi |
| | 1" | 1-1/8" | 0.78 | 3.10 | 1.58 | 3.50 | - | 1.42 | 6.7 | 14.5 psi |
| | 1-1/4" | 1-3/8" | 0.79 | 3.10 | 1.58 | 3.50 | - | 1.42 | 9.8 | 11.6 psi |



Pictured:
LZV-3 Zone Valve