

SUBMITTAL SHEET

| | | |
|-------------------|------|-------------|
| JOB NAME | | ITEM TAG |
| JOB LOCATION | | PART NUMBER |
| CONTRACTOR | DATE | |
| ENGINEER APPROVAL | DATE | |

MIXING VALVE ACTUATOR FOR LMV-3 MIXING VALVE

24V Floating

Features a floating motor to control the delivered water temperature with the LMV-3 mixing valve.

The actuator must be paired with a controller that can provide a 24V floating output signal.

Has a Red/Green signaling LED to visually identify the direction of movement for the actuator.

28mm knurled brass nut for easy attachment to the 3-way valve. No tools required.

Small compact design to aid in close-quarters installations.



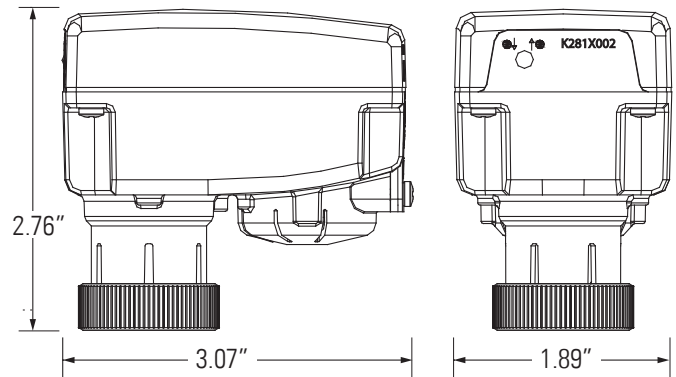
**Pictured:
LMV-3 &
800-761 Actuator**

Electrical Connections:

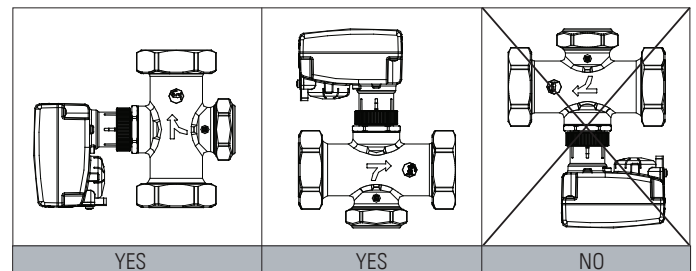
| | |
|-------|--|
| Brown | "UP", Stem is rising to allow additional mixing. |
| White | "COMMON" |
| Green | "DOWN", Stem is lowering to reduce the amount of mixing. |

Technical Data:

| | |
|-------------------|-----------------------|
| Supply Voltage | 24 V, 50-60 Hz, + -3V |
| Power Consumption | 5 VA |
| Control Mode | 3-position (floating) |
| Stroke Time | 85 seconds |
| Stem Force | 27 pounds |
| Max Stroke | .26 inches |
| Connecting Cable | 5 ft. |
| Mounting Nut | M28 x 1.5 brass ring |
| Weight | 5.3 Oz |



**Pictured:
800-761 Actuator
Dimensional**



Acceptable mounting positions