

## SUBMITTAL SHEET

JOB NAME		ITEM TAG
JOB LOCATION		PART NUMBER
CONTRACTOR	DATE	
ENGINEER APPROVAL	DATE	

### 3-WAY MIXING VALVE

#### LMV-3

Durable forged brass body.

Can be used in hydronic heating and cooling systems.

Allows for the precise control of the delivered water temperature in a hydronic system.

Utilizes the "LegendConnect" system for a variety of connection sizes & types (sold separately).

Install the by-pass reducing ring for the low temp condensing boiler or cooling applications.

Multiple electronic actuator options are available (sold separately).

#### Working Pressures

Max Working Pressure, Non-shock (PSI):	125 p.s.i.
Max Working Temperature:	230°F
Max Flow:	88gpm
CV:	4.39

#### Connections:

**Main Run** - Via LegendConnect Fittings (sold separately).

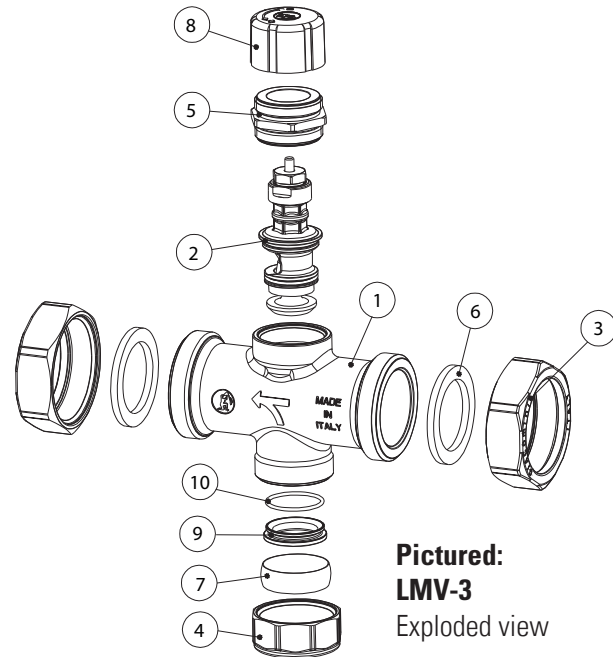
1" - FNPT, Press, ISO Compression, ISO FNPT

1-1/4" - MNPT, FNPT, Sweat, ISO FNPT

**By-pass** - 1" Copper compression



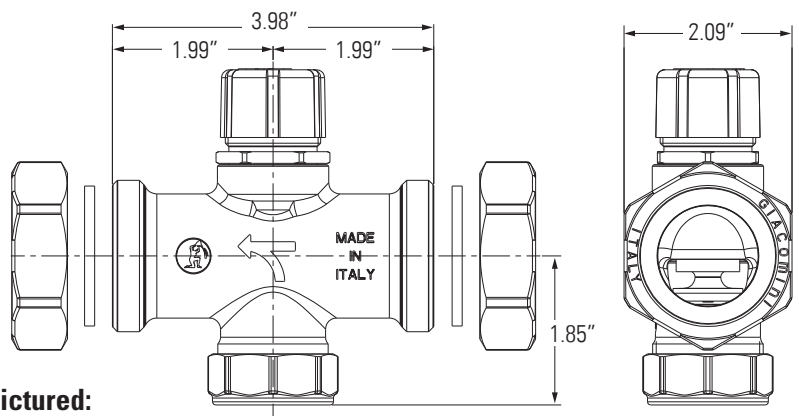
**Pictured:  
LMV-3**



**Pictured:  
LMV-3**  
Exploded view

#### MATERIAL SPECIFICATION

PART	MATERIAL	QTY
1 Valve Body	Forged brass	UNS Alloy CW617N
2 Mixing assembly	Various materials	-
3 Tail piece nut (2)	Forged brass	UNS Alloy CW617N
4 1" Compression nut	Forged brass	UNS Alloy C37700
5 Bonnet nut	Forged brass	UNS Alloy CW617N
6 Gasket (2)	EPDM	Commercial grade
7 1" Compression ring	Tubular brass	UNS Alloy C37700
8 Manual handle	High temperature polymer	Commercial grade
9 Reducing ring	Forged brass	UNS Alloy C37700
10 O-ring	EPDM	Commercial grade



**Pictured:  
LMV-3**  
Front & Side view